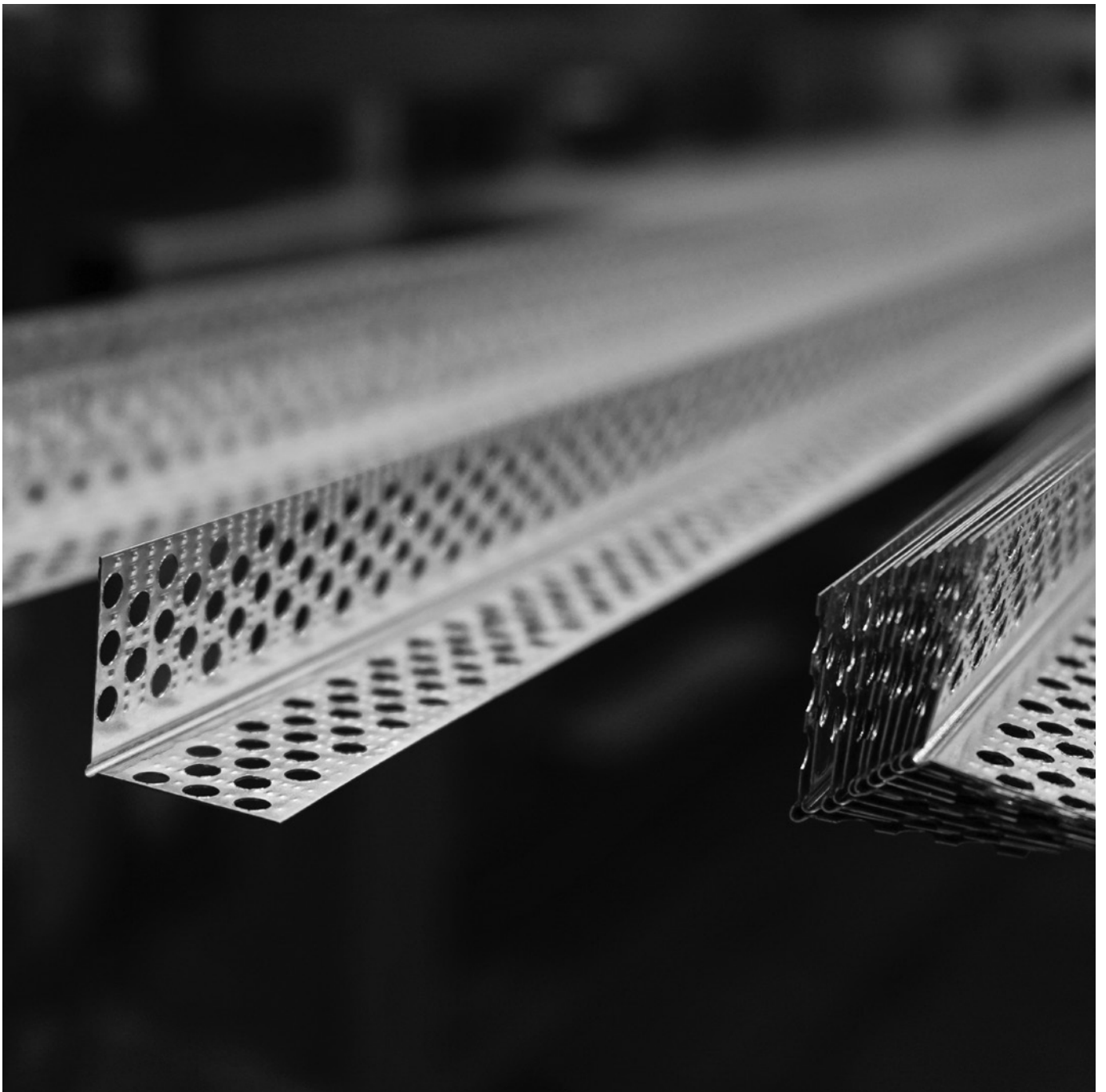

Drywall Metal Profiles

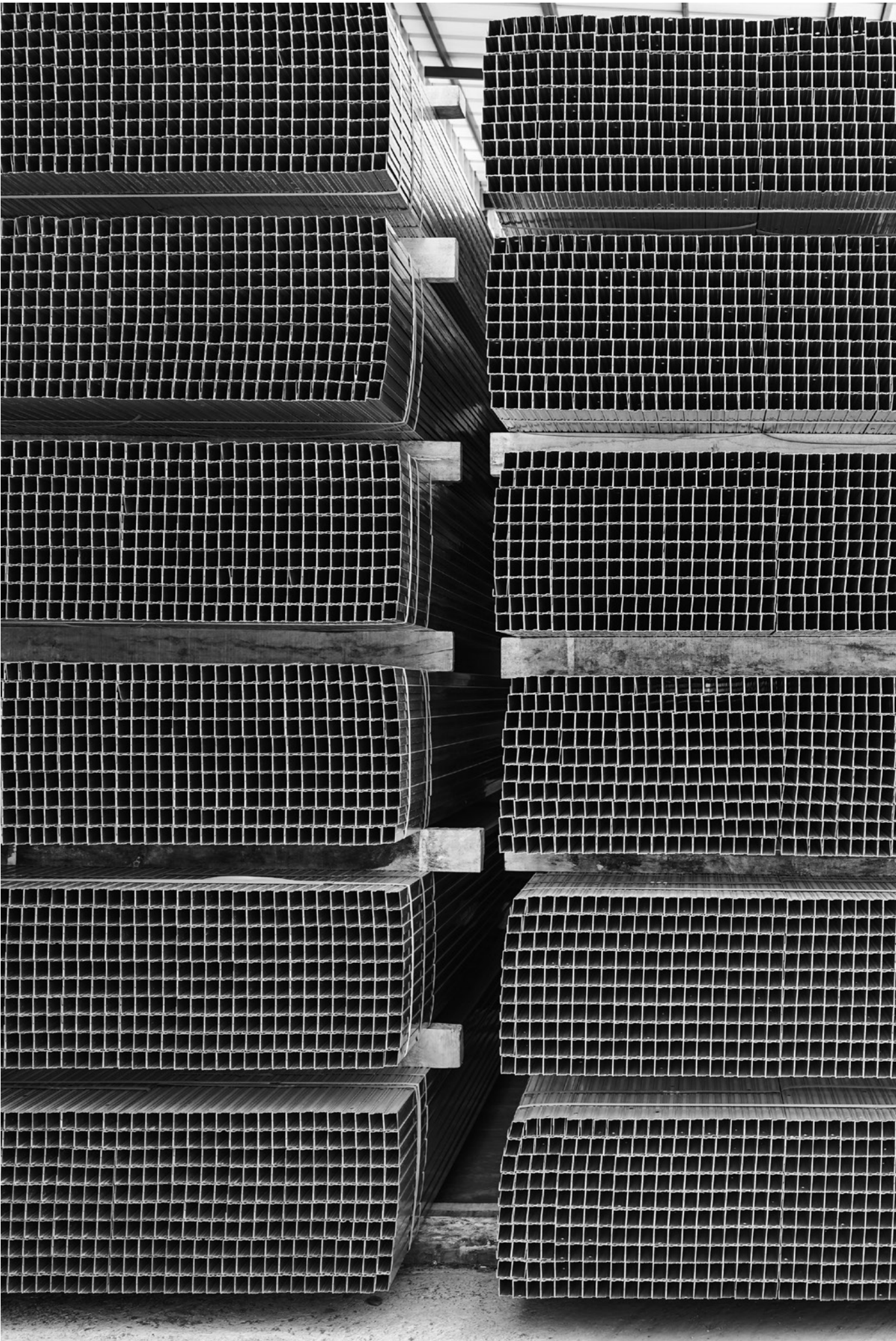
ELASTEEL
PROFILES





Contents

| | |
|---|----|
| Introduction | 5 |
| Advantages and Specifications of Drywall Metal Profiles | 5 |
| Drywall Metal Profiles in accordance with EN 14195 | 6 |
| Perforated Drywall Metal Profiles in accordance with EN 14353 | 8 |
| Drywall Metal Profiles 0,60mm in accordance with DIN 18182 & EN 14195 | 9 |
| Quality & Specifications of Drywall Metal Profiles | 10 |



Introduction

The production unit of ELASTRON Drywall Metal Profiles is equipped with the latest of European production lines, which are innovating as they integrate all in machinery technological developments, electronic automation, and robotic systems.

The technological advantages of the new production lines result in producing galvanized drywall metal profiles of the highest quality with the commercial name Elasteel Profiles, along with importing new innovations in the Greek market of drywall profiles.

Advantages and specifications of drywall metal profiles

The galvanized drywall metal profiles of Elasteel Profiles stand out, due to a multitude of advantages and specifications that make them fully ergonomic, as well as totally qualitative and ideal for all constructions of drywall:

- Excellent quality of profiles raw material.
- Storage of all drywall profiles in fully housed areas, resulting in them being received by the client in excellent condition, clean and without rainwater erosion.
- The perforation of the profiles is executed on the spot, upon the profiles production line, minimizing the processing procedures of the raw material and producing profiles of premium quality.
- Careful designing, geometrical characteristics and ribs, contributing to the increased mechanics endurance of profiles and the reduced transmission of sound.
- Big circular perforation of stud profiles for the fast and easy passage of electrical cables and plumbing lines, specially modulated for their protection.
- Stud profiles have unequal sides for interconnection, when lengthwise extension is required for taller drywall masonry constructions.
- Stud drywall partition profiles and the ceiling runner profile

have imprints, in order to facilitate the perforation process with screws, while placing the boards on the profiles.

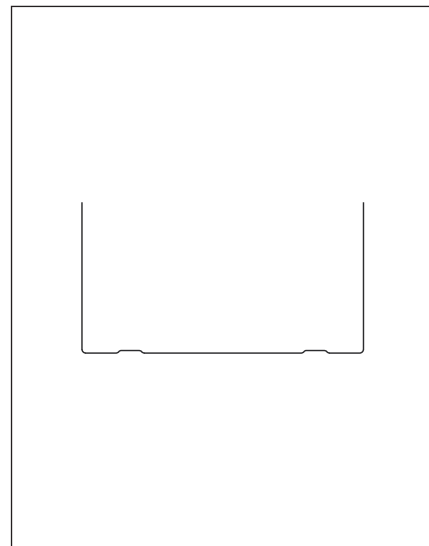
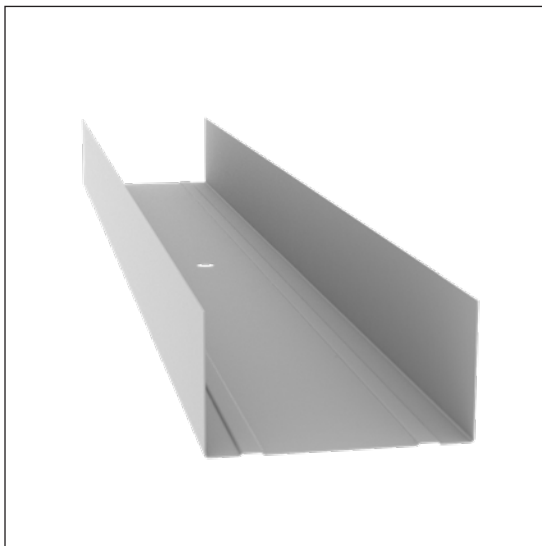
- The plasterboard edge protection profiles, the angle bead and wall angles have imprints to help the craftsman handle them and improve plaster and drywall adhesion and assembly.
- Track partition profiles and ceiling perimeter profiles have holes at certain distances on their base, for the prompt, easy and quick placing of screws by the construction crew.
- Perforated plasterboard edge protection drywall profiles have larger dimensions on their perforated side, compared to similar market profiles, for easier placing and better plaster apply.

Drywall Metal Profiles in accordance with EN 14195



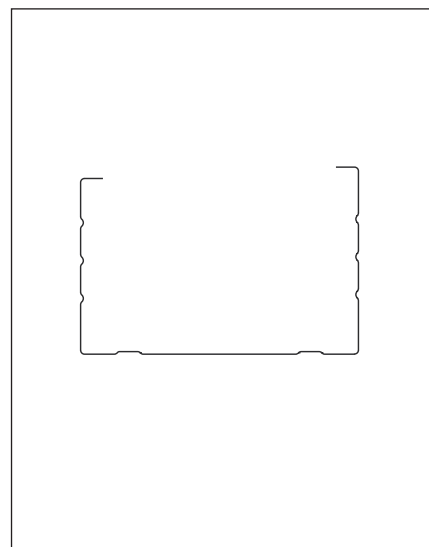
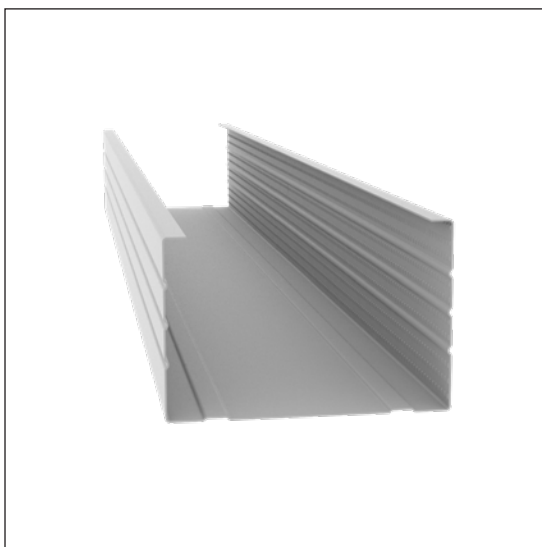
Track drywall partition profiles

| |
|--------------|
| Track 50/30 |
| Track 50/40 |
| Track 75/30 |
| Track 75/40 |
| Track 100/30 |
| Track 100/40 |
| Track 125/40 |
| Track 150/40 |



Stud drywall partition profiles

| |
|-------------|
| Stud 50/37 |
| Stud 50/50 |
| Stud 75/37 |
| Stud 75/50 |
| Stud 100/37 |
| Stud 100/50 |
| Stud 125/50 |
| Stud 150/50 |

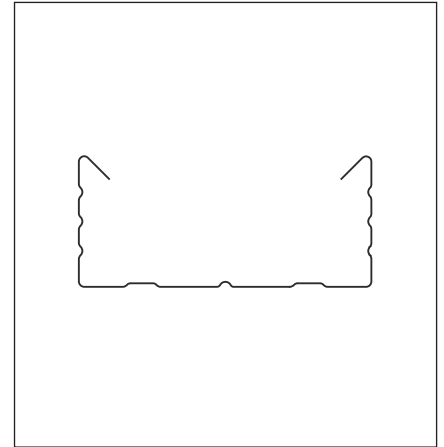
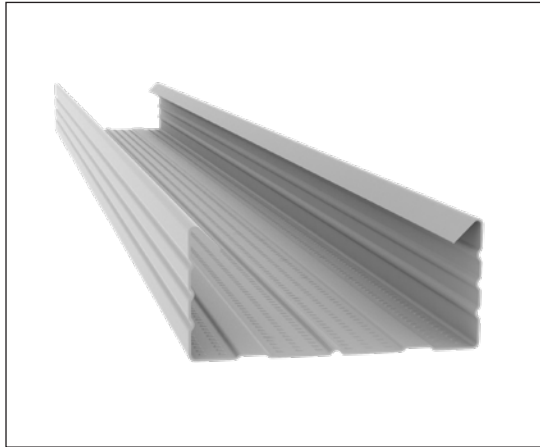


Drywall Metal Profiles in accordance with EN 14195



Ceiling profile

Ceiling profile 60/27



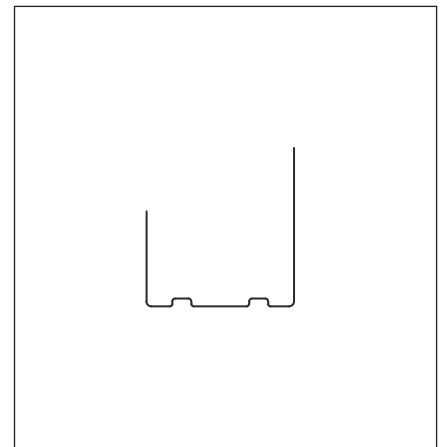
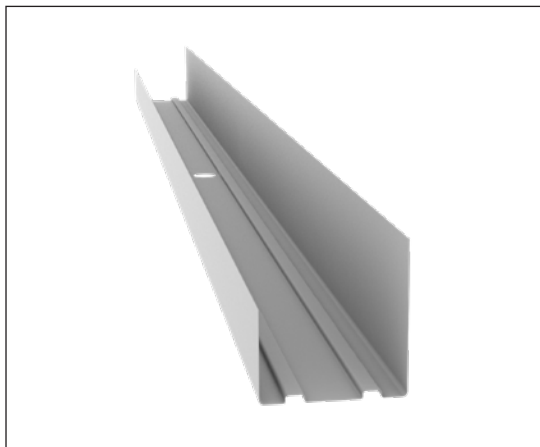
Ceiling perimeter profiles

Ceiling perimeter profile 37/28/18

Ceiling perimeter profile 30/28/18

Ceiling perimeter profile 27/28/27

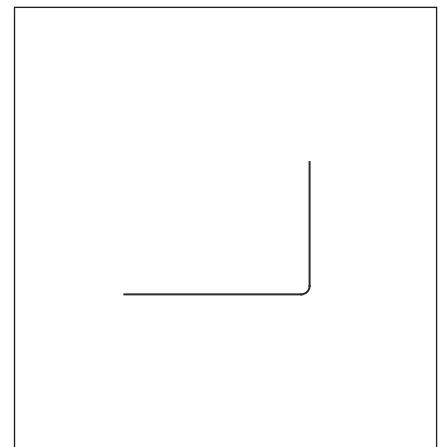
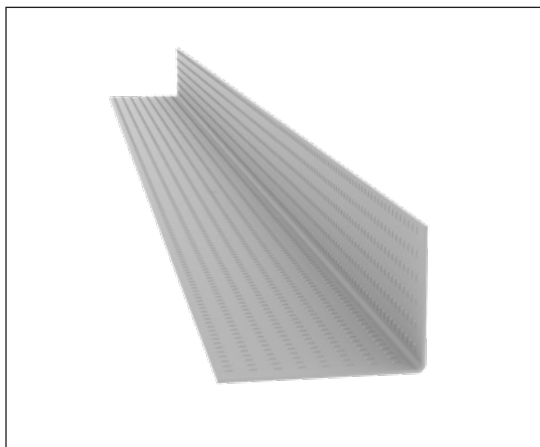
Ceiling perimeter profile 25/28/25



Wall angle profiles

Wall angle 35/25

Wall angle 30/30

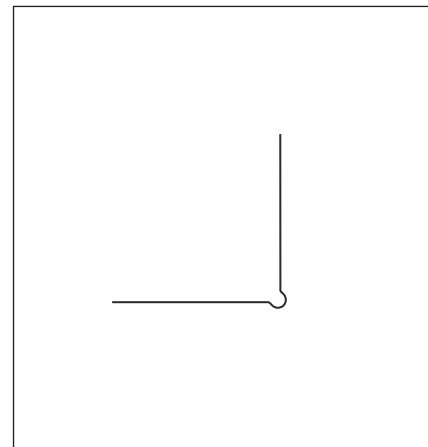
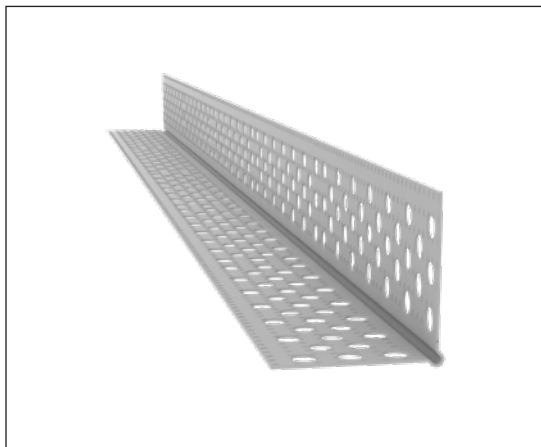


Perforated Drywall Metal Profiles in accordance with EN 14353



Angle bead drywall profile

Angle bead 31/31

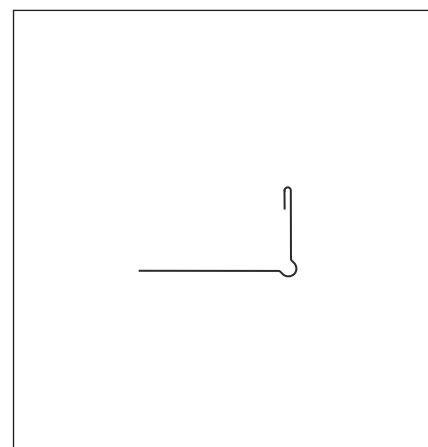
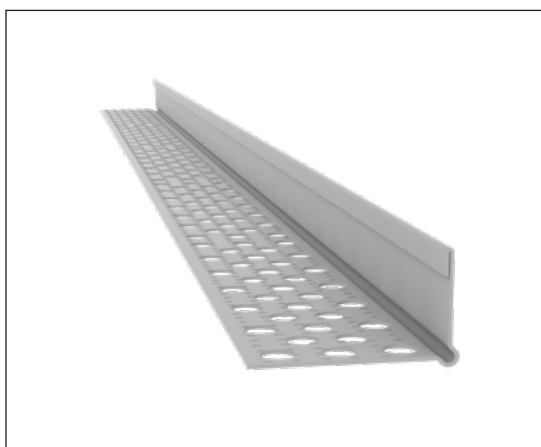


Angle bead drywall profiles for plasterboard edge protection

Angle bead 28/13
for plasterboard 12,5mm

Angle bead 28/10
for plasterboard 9,5mm

Angle bead 28/15,5
for plasterboard 15mm



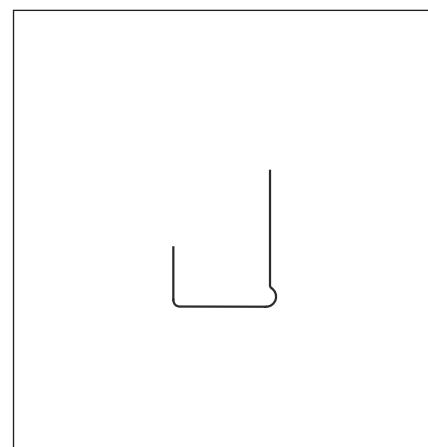
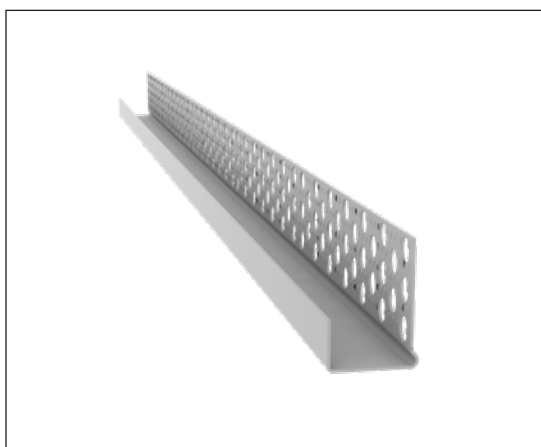
JB drywall profiles for plasterboard edge protection

JB-12,5 28/13/10
for plasterboard 12,5mm

JB-9,5 28/10/10
for plasterboard 9,5mm

JB-15 28/15,5/10
for plasterboard 15mm

JB-25 28/25,5/10 for double
plasterboard 12,5mm

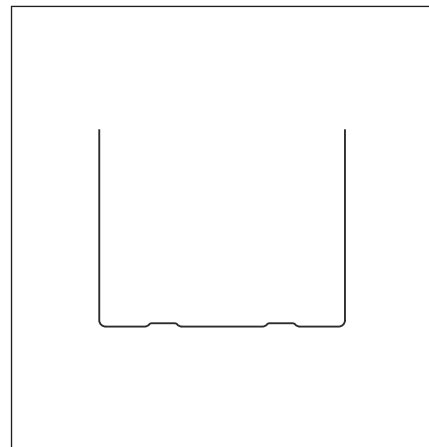
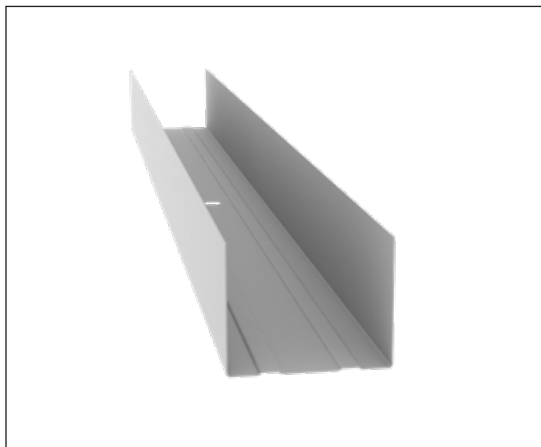


Drywall Metal Profiles 0,60 mm in accordance with DIN 18182 & EN 14195



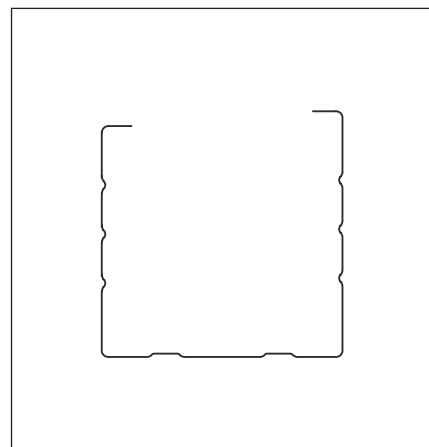
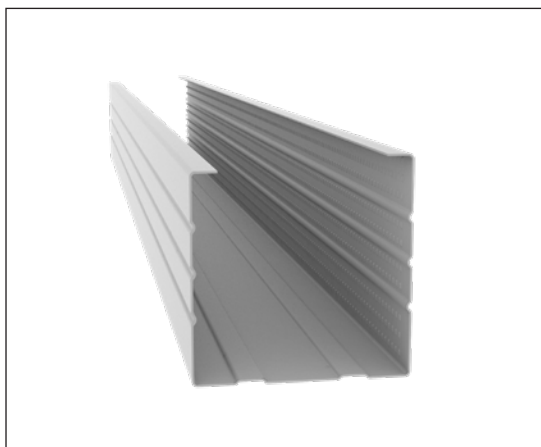
Track drywall partition profiles 0,60 mm

| |
|------------------------|
| Track UW 50x40 0,60mm |
| Track UW 75x40 0,60mm |
| Track UW 100x40 0,60mm |
| Track UW 125x40 0,60mm |
| Track UW 150x40 0,60mm |



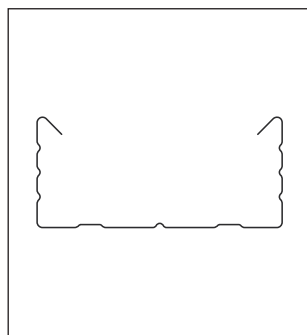
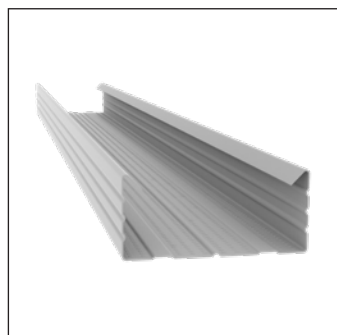
Stud drywall partition profiles 0,60 mm

| |
|-----------------------|
| Stud CW 50x50 0,60mm |
| Stud CW 75x50 0,60mm |
| Stud CW 100x50 0,60mm |
| Stud CW 125x50 0,60mm |
| Stud CW 150x50 0,60mm |



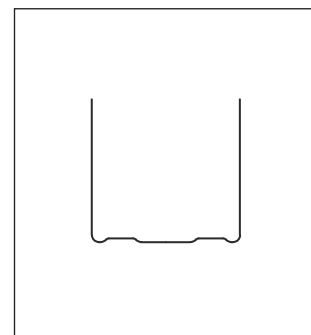
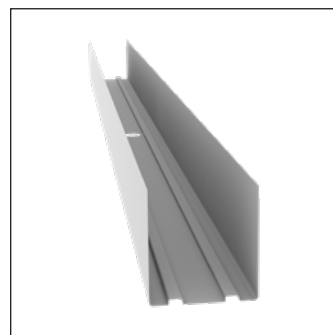
Ceiling profile 0,60mm

| |
|---------------------------------|
| Ceiling profile CD 60x27 0,60mm |
|---------------------------------|



Ceiling perimeter profile

| |
|--|
| Ceiling perimeter profile UD 27x28x27 0,60mm |
|--|



Quality & Specifications of Drywall Metal Profiles

The galvanized steel drywall profiles are based on high quality standards and therefore are produced according to the European Standards EN 14195, EN 14353 and DIN 18182 from galvanized steel according to EN 10346 and EN 10143 standards.

The quality and the harmonization with the European drywall profiles standards, are constantly reviewed during all production stages by the Company's Technical and Quality Assurance Departments.



The information, descriptions, procedures, specifications, and dimensions contained in this catalogue are true and valid until the date of issue. ELASTRON S.A. STEEL SERVICE CENTERS reserves the right to make changes to the design, and the materials of its products for their improvement or removal, without prior notice. Although ELASTRON S.A. STEEL SERVICE CENTERS has made every effort to ensure that the information, technical instructions and data presented in this catalogue are accurate, nevertheless it remains for the user (reader) the obligation to verify whether the above are suitable to cover any of its needs. The company is not liable and is not responsible for any technical or typographical errors that cannot be predicted or have occurred unintentionally or due to force majeure. Especially for the elaboration of particular mechanical engineering studies, we ask you to contact the technical department of our company, in order to receive an updated copy of our catalogue, and to provide you with information and clarifications regarding the data listed in it.

October 2020

ELASTRON S.A.

Agios Ioannis Street, Ag. Ioannis,
193 00, Aspropyrgos , Athens, Greece

Tel. +30 210 5515 000

Fax +30 210 5515 015

elastron@elastron.gr

www.elastron.gr