

# 7

---

## FLASHINGS AND ACCESSORIES

---



## FLASHINGS AND ACCESSORIES

### INTRODUCTION

In this chapter the following products are detailed:

- Flashings (as they are presented in the chapter 4)
- Curved trapezoidal steel sheet
- DRL translucent panels
- Fillers and sealants
- Fastening materials (self-drilling screws)
- Decorative aluminium profiles

Flashings are made of steels sheets of the same quality specification as ECOPANEL steel sheets.

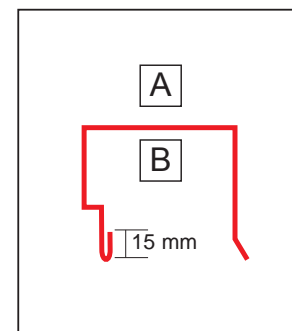
The tables accompanying the flashings state each part's code, dimensions, development, length, thickness and colouring.

Upon ordering, non-standardised flashings can be produced.

The drawings do not mention the folding of each flashing, which is always stable and equal to 15 mm.

**A** Shows the side with the final coating and colouring (visible side)

**B** Shows the unpainted side (invisible side)



Standardised coloured flashings are produced with steel sheets that have a final Polyester (SP 25  $\mu\text{m}$ ) coating of the RAL range which is stated in the tables.

Upon ordering, coloured flashings can also be manufactured in steel sheets qualities

PVF2 (25  $\mu\text{m}$ ) – Celestia (120  $\mu\text{m}$ ) – Prisma (50  $\mu\text{m}$ ) as well as in different colours depending in the material availability.

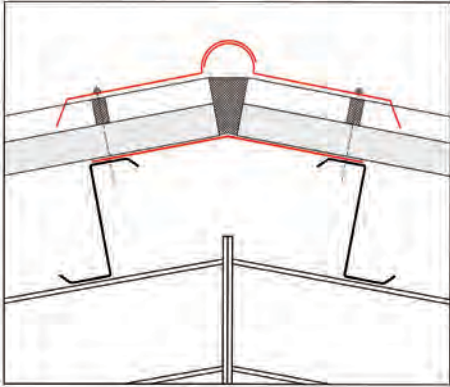
Samples of the inquiry forms for flashings, curved trapezoidal shape steel sheet and rooflights are found in the annex A of this unit.



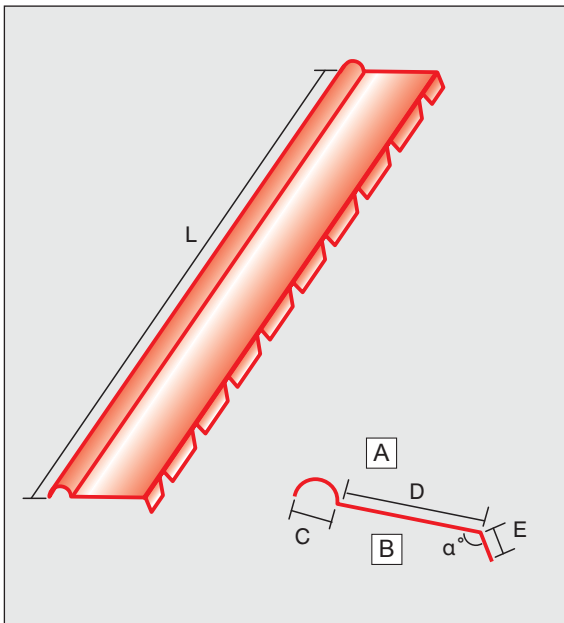
# CORE

## 7.1 FLASHINGS

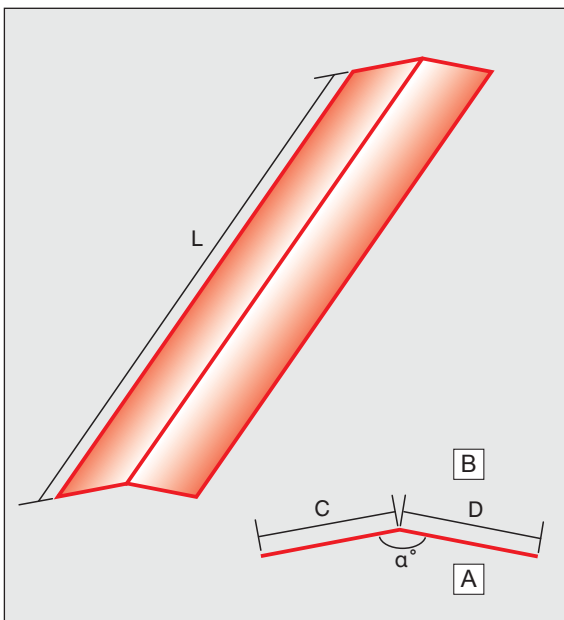
### HALF ROUND TWO PIECES RIDGE



REFERENCE NUMBER	DESCRIPTION
R10.001	EXTERNAL RIDGE WITH HALF ROUND OVERLAP AND METAL FILLER END
R10.002	INTERNAL RIDGE POSITIONING AT THE PURLINS BEFORE THE ASSEMBLY OF THE PANELS



R10.001	STANDARD		ON REQUEST	
DIMENSIONS (mm)	C: 110	$\alpha^\circ$ : 120	C: 110	$\alpha^\circ$ : 100
	D: 275		D: max 525	
	E: 45		E: 45	
SHEET WIDTH (mm)	S: 500		S: max 750	
LENGTH (mm)	L: 3.000		L: 3.000	
THICKNESS (mm)	t: 0,75		t: 0,75	
COLOUR (RAL)	9002 - 9006 - 1015 - 3003		ON REQUEST	



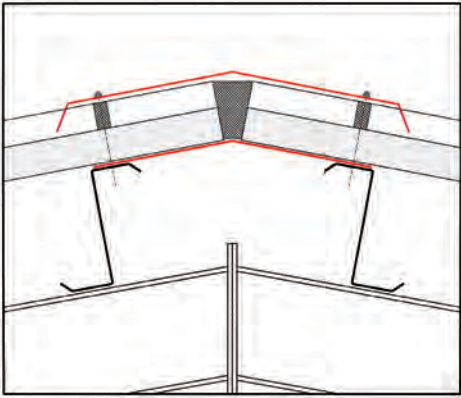
R10.002	STANDARD		ON REQUEST	
DIMENSIONS (mm)	C: 268	$\alpha^\circ$ : 160	C: 250_610	$\alpha^\circ$ : 120_175
	D: 268		D: 130_610	
SHEET WIDTH (mm)	S: 536		S: max 1.220	
LENGTH (mm)	L: 3.000		L: 1.000 ~ 6.000	
THICKNESS (mm)	t: 0,50		t: 0,50 - 0,60 - 0,75	
COLOUR (RAL)	9002 - 9006 - 1015		ON REQUEST	



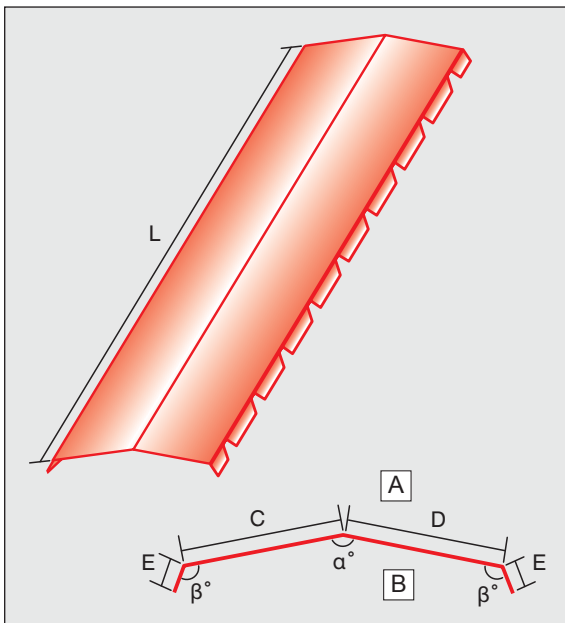
CORE



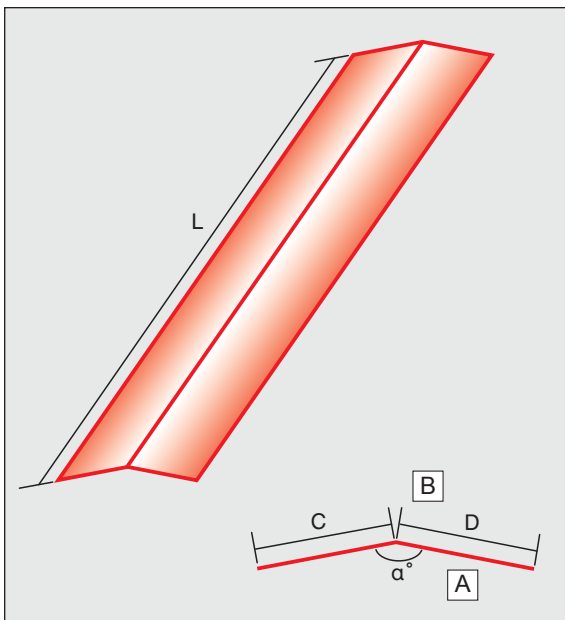
RIDGE



REFERENCE NUMBER	DESCRIPTION
R11.001	EXTERNAL ONE PIECE RIDGE WITH METAL FILLER END
R10.002	INTERNAL RIDGE POSITIONING AT THE PURLINS BEFORE THE ASSEMBLY OF THE PANELS



R11.001	STANDARD		ON REQUEST	
DIMENSIONS (mm)	C: 260	$\alpha^\circ$ : 160	C: 260_565	$\alpha^\circ$ :
	D: 260	$\beta^\circ$ : 120	D: 260_565	$\beta^\circ$ : 100
	E: 45		E: 45	
SHEET WIDTH (mm)	S: 610		S: max 1.220	
LENGTH (mm)	L: 3.000		L: 3.000	
THICKNESS (mm)	t: 0,75		t: 0,60 - 0,75	
COLOUR (RAL)	9002 - 9006 - 1015 - 3003		ON REQUEST	



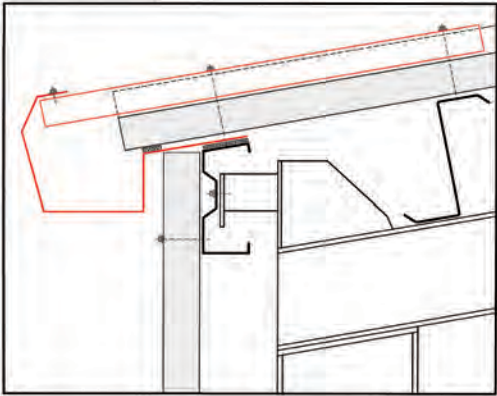
R10.002	STANDARD		ON REQUEST	
DIMENSIONS (mm)	C: 268	$\alpha^\circ$ : 160	C: 250_610	$\alpha^\circ$ : 120_175
	D: 268		D: 130_610	
SHEET WIDTH (mm)	S: 536		S: max 1.220	
LENGTH (mm)	L: 3.000		L: 1.000 ~ 6.000	
THICKNESS (mm)	t: 0,50		t: 0,50 - 0,60 - 0,75	
COLOUR (RAL)	9002 - 1015		ON REQUEST	



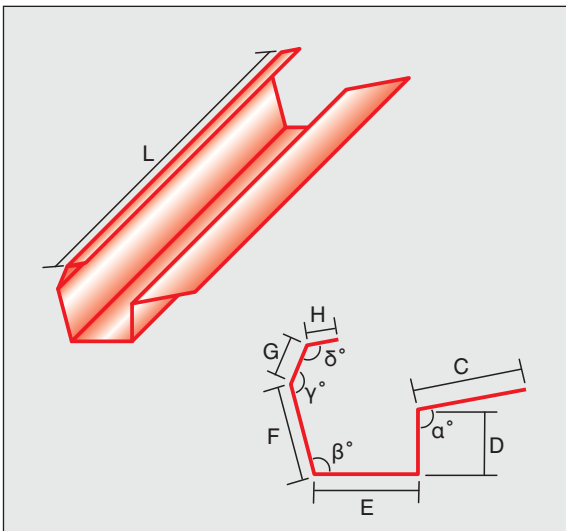
CORE



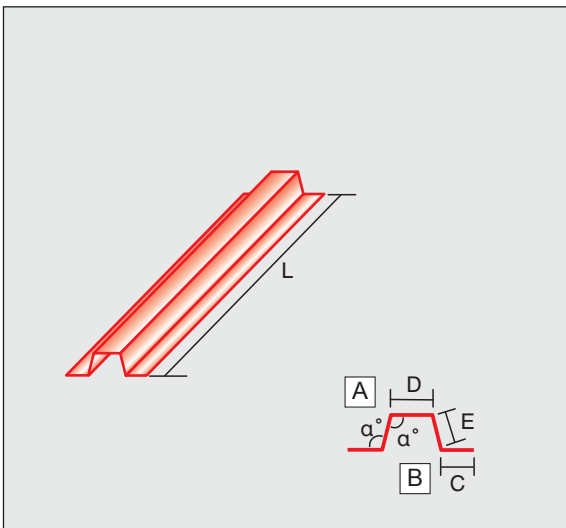
**EXTERNAL GUTTER**



REFERENCE NUMBER	DESCRIPTION
R20.001	EXTERNAL GUTTER
R20.002	GUTTER SUPPORT



R20.001	STANDARD		ON REQUEST	
<b>DIMENSIONS (mm)</b>	C:	H:	C:	H:
	D:	$\alpha^\circ$ :	D:	$\alpha^\circ$ :
	E:	$\beta^\circ$ :	E:	$\beta^\circ$ :
	F:	$\gamma^\circ$ :	F:	$\gamma^\circ$ :
	G:	$\delta^\circ$ :	G:	$\delta^\circ$ :
<b>SHEET WIDTH (mm)</b>	S:		S: max 1.250	
<b>LENGTH (mm)</b>	L: 4.000		L: 3.000 - 4.000 - 6.000	
<b>THICKNESS (mm)</b>	t: 1,50		t: 1,00 - 1,50 - 2,00	
<b>COLOUR (RAL)</b>	GALVANISED UNCOATED		ON REQUEST	



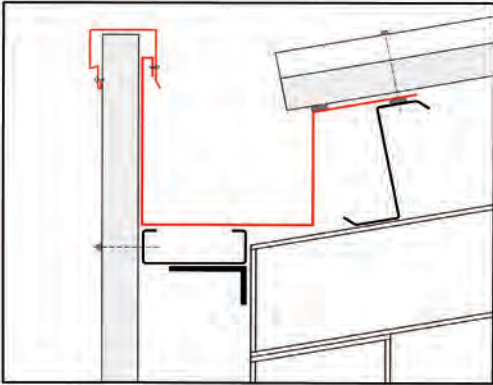
R20.002	STANDARD		ON REQUEST	
<b>DIMENSIONS (mm)</b>	C: 30	$\alpha^\circ$ : 126	C: -	$\alpha^\circ$ : X
	D: 45	$\beta^\circ$ : 126	D: -	$\beta^\circ$ : X
	E: 50		E: -	
<b>SHEET WIDTH (mm)</b>	S: 220		S: max 1.250	
<b>LENGTH (mm)</b>	L: 800		L: 1.000 - 6.000	
<b>THICKNESS (mm)</b>	t: 0,75		t: 0,90	
<b>COLOUR (RAL)</b>	9002 - 9006 - 1015 - 3003		ON REQUEST	



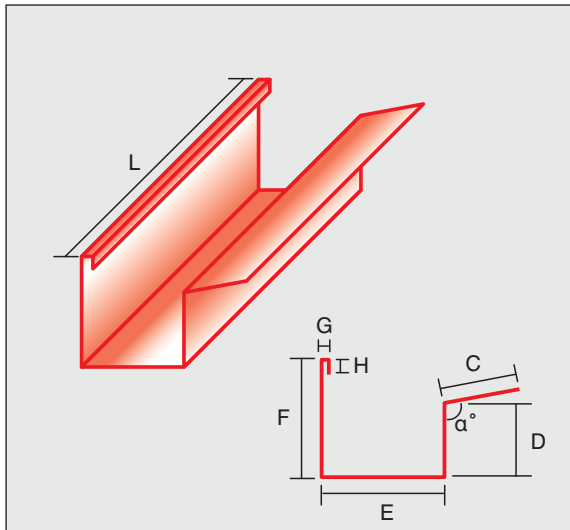
CORE



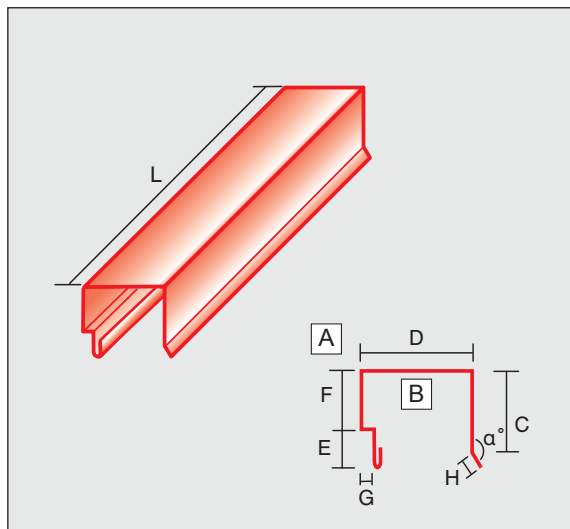
**BOUNDARY WALL GUTTER**



REFERENCE NUMBER	DESCRIPTION
R21.001	GUTTER
R21.002	EAVES FLASHING



R21.001	STANDARD		ON REQUEST	
<b>DIMENSIONS (mm)</b>	C: -	G: 20	C:	G:
	D: -	H: 20	D:	H:
	E: -	$\alpha^\circ$ : -	E:	$\alpha^\circ$ :
	F: -		F:	
<b>SHEET WIDTH (mm)</b>	S: 1.000~1250		S: max 1.500	
<b>LENGTH (mm)</b>	L: 4.000		L: 3.000 - 4.000 - 6.000	
<b>THICKNESS (mm)</b>	t: 1,50		t: 0,75 - 1,00 - 2,00	
<b>COLOUR (RAL)</b>	GALVANISED UNCOATED		ON REQUEST	



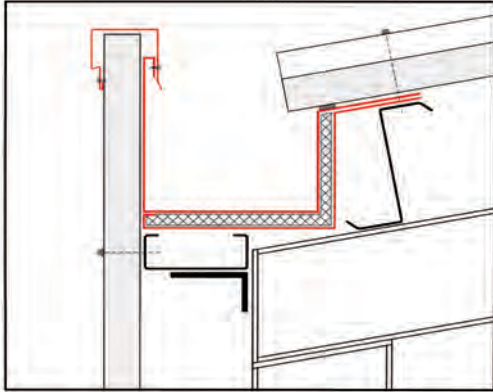
R21.002	STANDARD		ON REQUEST	
<b>DIMENSIONS (mm)</b>	C: 100	G: 20	C:	G:
	D: 40 + W	H: 15	D:	H:
	E: 30	$\alpha^\circ$ :160	E:	$\alpha^\circ$ :
	F: 110		F:	
<b>SHEET WIDTH (mm)</b>	S: 330 + W (panel thickness)		S: max 1.250	
<b>LENGTH (mm)</b>	L: 4.000		L: 1.000 - 6.000	
<b>THICKNESS (mm)</b>	t: 0,75		t: 0,60 - 0,75	
<b>COLOUR (RAL)</b>	9002 - 9006 - 1015 - 3003		ON REQUEST	



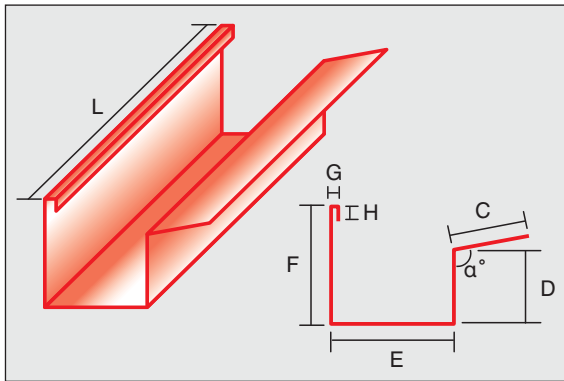
CORE



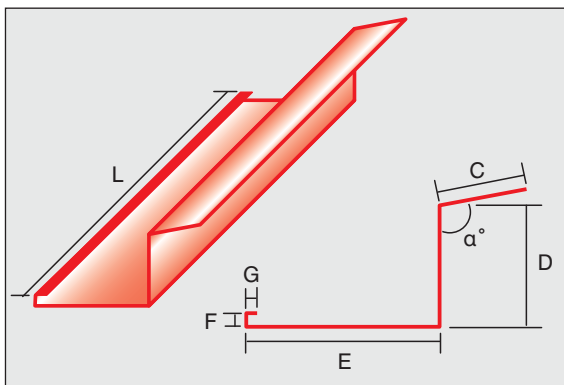
**BOUNDARY WALL INSULATED GUTTER**



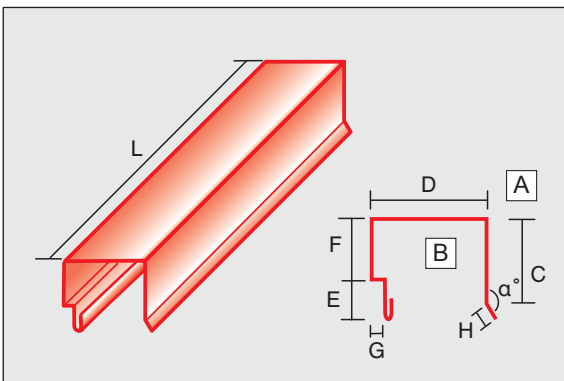
REFERENCE NUMBER	DESCRIPTION
R21.001	INNER GUTTER
R21.002	EAVES FLASHING
R22.001	GUTTER MASK



R21.001	STANDARD		ON REQUEST	
<b>DIMENSIONS (mm)</b>	C: -	G: 20	C:	G:
	D: -	H: 20	D:	H:
	E: -	$\alpha^\circ$ : -	E:	$\alpha^\circ$ :
	F: -		F:	
<b>SHEET WIDTH (mm)</b>	S: 1.000 - 1.250		S: max 1.500	
<b>LENGTH (mm)</b>	L: 4.000		L: 3.000 - 4.000 - 6.000	
<b>THICKNESS (mm)</b>	t: 1,50		t: 0,75 - 1,00 - 2,00	
<b>COLOUR (RAL)</b>	GALVANISED UNCOATED		ON REQUEST	



R22.001	STANDARD		ON REQUEST	
<b>DIMENSIONS (mm)</b>	C: -	G: 20	C:	G:
	D: -	$\alpha^\circ$ : -	D:	$\alpha^\circ$ :
	E: -		E:	
	F: 30		F:	
<b>SHEET WIDTH (mm)</b>	S: 1.000 - 1.250		S: max 1.500	
<b>LENGTH (mm)</b>	L: 4.000		L: 3.000 - 4.000 - 6.000	
<b>THICKNESS (mm)</b>	t: 1,50		t: 1,00 - 2,00	
<b>COLOUR (RAL)</b>	GALVANISED UNCOATED		ON REQUEST	



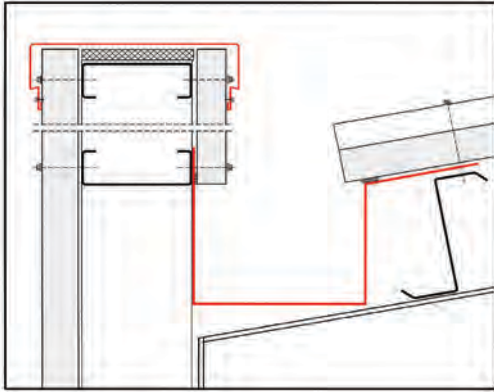
R21.002	STANDARD		ON REQUEST	
<b>DIMENSIONS (mm)</b>	C: 100	G: 20	C:	G:
	D: 40 + W	H: 15	D:	H:
	E: 30	$\alpha^\circ$ : 160	E:	$\alpha^\circ$ :
	F: 110		F:	
<b>SHEET WIDTH (mm)</b>	S: 330 + W (panel thickness)		S: max 1.250	
<b>LENGTH (mm)</b>	L: 4.000		L: 1.000 - 6.000	
<b>THICKNESS (mm)</b>	t: 0,75		t: 0,60 - 0,75	
<b>COLOUR (RAL)</b>	9002 - 9006 - 1015 - 3003		ON REQUEST	



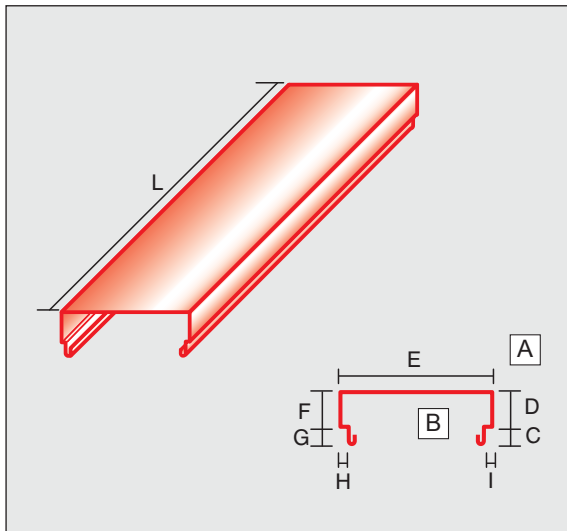
CORE



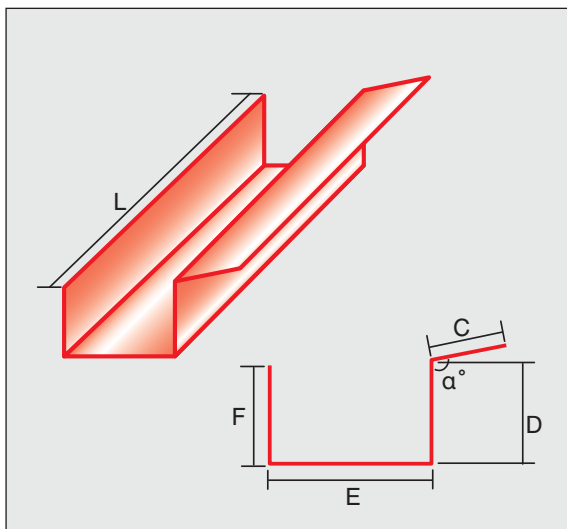
### EAVE PARAPET GUTTER



REFERENCE NUMBER	DESCRIPTION
R25.001	EAVES PARAPET FLASHING
R25.002	GUTTER



R25.001	STANDARD		ON REQUEST	
DIMENSIONS (mm)	C: 30	G: 30	C:	G:
	D: 90	H: 20	D:	H:
	E: -	I: 20	E:	I:
	F: 90		F:	
SHEET WIDTH (mm)	S: 310 + E		S: max 1.250	
LENGTH (mm)	L: 4.000		L: 1.000_6.000	
THICKNESS (mm)	t: 0,75		t: 0,50 - 0,60 - 0,90	
COLOUR (RAL)	9002 - 9006 - 1015 - 3003		ON REQUEST	



R25.002	STANDARD		ON REQUEST	
DIMENSIONS (mm)	C: -	$\alpha^\circ$ : -	C:	$\alpha^\circ$ :
	D: -		D:	
	E: -		E:	
	F: -		F:	
SHEET WIDTH (mm)	S: -		S: max 1.250	
LENGTH (mm)	L: 4.000		L: 3.000 - 4.000- 6.000	
THICKNESS (mm)	t: 1,50		t: 0,75 - 0,90 - 1,00 - 2,00	
COLOUR (RAL)	GALVANISED UNCOATED		ON REQUEST	

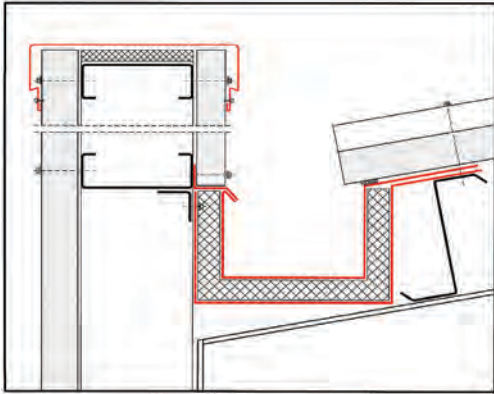




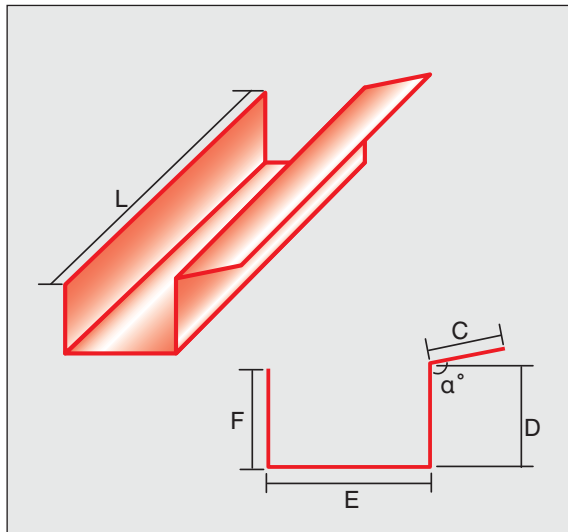
CORE



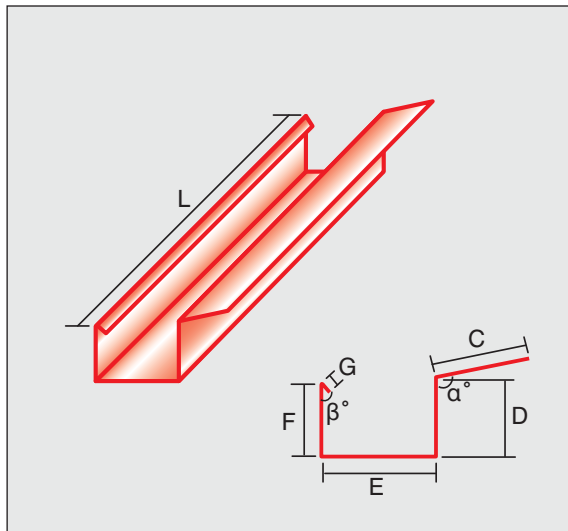
EAVE PARAPET INSULATED GUTTER -1



REFERENCE NUMBER	DESCRIPTION
R25.002	GUTTER MASK
R26.001	INNER GUTTER



R 25.002	STANDARD		ON REQUEST	
DIMENSIONS (mm)	C: -	$\alpha^\circ$ : -	C:	$\alpha^\circ$ :
	D: -		D:	
	E: -		E:	
	F: -		F:	
SHEET WIDTH (mm)	S: -		S: max 1.250	
LENGTH (mm)	L: 4.000		L: 3.000 - 4.000 - 6.000	
THICKNESS (mm)	t: 1,50		t: 0,75 - 0,90 - 1,00 - 2,00	
COLOUR (RAL)	GALVANISED UNCOATED		ON REQUEST	



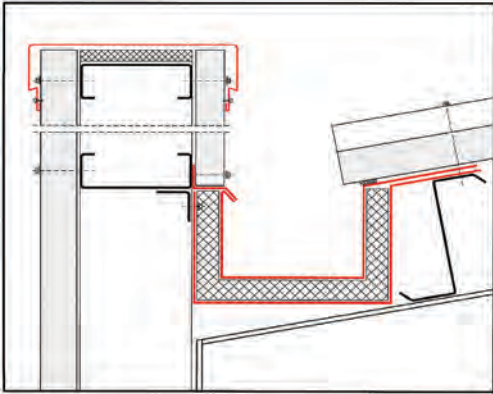
R 26.001	STANDARD		ON REQUEST	
DIMENSIONS (mm)	C: -	G: 20	C:	G: -
	D: -	$\alpha^\circ$ : -	D:	$\alpha^\circ$ : -
	E: -	$\beta^\circ$ : -	E:	$\beta^\circ$ : -
	F: -		F:	
SHEET WIDTH (mm)	S: -		S: max 1.250	
LENGTH (mm)	L: 4.000		L: 3.000 - 4.000 - 6.000	
THICKNESS (mm)	t: 1,50		t: 0,75 - 0,90 - 1,00 - 2,00	
COLOUR (RAL)	GALVANISED UNCOATED		ON REQUEST	



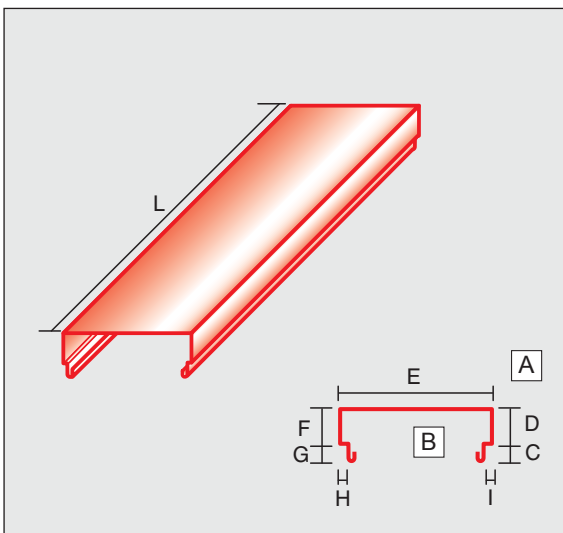
CORE



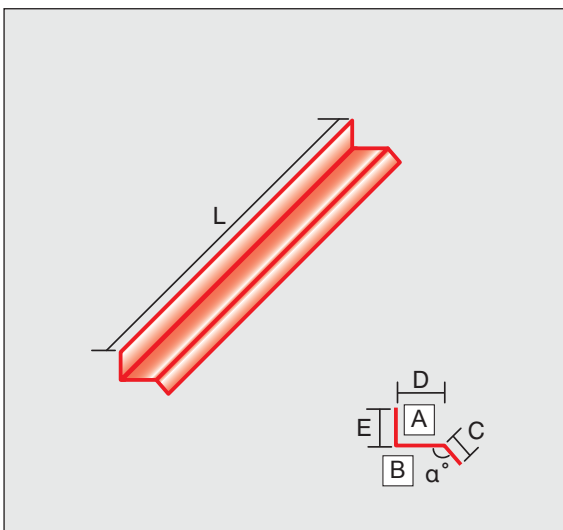
## EAVE PARAPET INSULATED GUTTER - 2



REFERENCE NUMBER	DESCRIPTION
R25.001	EAVES PARAPET FLASHING
R26.002	SUPPORTING FLASHING



R 25.001	STANDARD		ON REQUEST	
DIMENSIONS (mm)	C: 30	G: 30	C:	G:
	D: 90	H: 20	D:	H:
	E: -	I: 20	E:	I:
	F: 90		F:	
SHEET WIDTH (mm)	S: 310+E		S: max 1.250	
LENGTH (mm)	L: 4.000		L: 1.000_6.000	
THICKNESS (mm)	t: 0,75		t: 0,50 - 0,60 - 0,90	
COLOUR (RAL)	9002 - 9006 - 1015 - 3003		ON REQUEST	



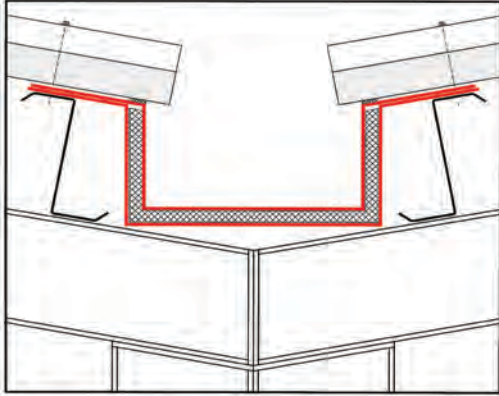
R26.002	STANDARD		ON REQUEST	
DIMENSIONS (mm)	C: 30	$\alpha^\circ$ : 130	C:	$\alpha^\circ$ :
	D: 5 + W		D:	
	E: 60		E:	
SHEET WIDTH (mm)	S: 95 + W (panel thickness)		S: max 1.250	
LENGTH (mm)	L: 4.000		L: 1.000_6.000	
THICKNESS (mm)	t: 0,75		t: 0,50 - 0,60 - 0,90	
COLOUR (RAL)	9002 - 9006 - 1015 - 3003		ON REQUEST	



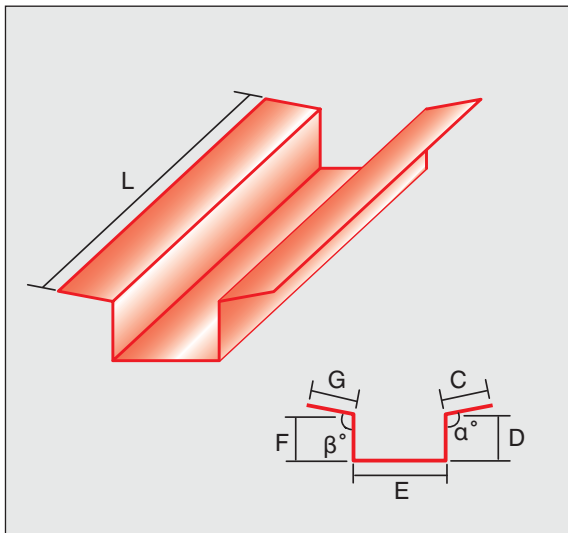
CORE



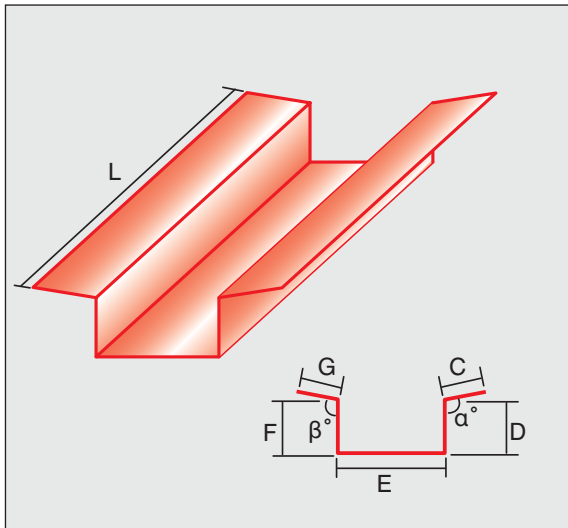
### VALLEY INSULATED GUTTER



REFERENCE NUMBER	DESCRIPTION
R24.001	INNER GUTTER
R24.002	GUTTER MASK



R24.002	STANDARD		ON REQUEST	
	<b>DIMENSIONS (mm)</b>	C: -	G: -	C:
	D: -	$\alpha^\circ$ : -	D:	$\alpha^\circ$ :
	E: -	$\beta^\circ$ : -	E:	$\beta^\circ$ :
	F: -		F:	
<b>SHEET WIDTH (mm)</b>	S: -		S: max 1.250	
<b>LENGTH (mm)</b>	L: 4.000		L: 3.000 - 4.000- 6.000	
<b>THICKNESS (mm)</b>	t: 1,50		t: 0,75 - 0,90 - 1,00 - 2,00	
<b>COLOUR (RAL)</b>	GALVANISED UNCOATED		ON REQUEST	



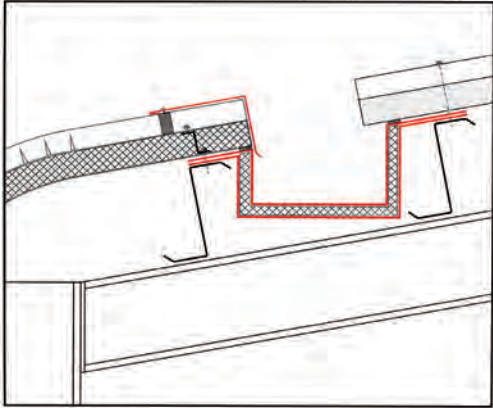
R24.001	STANDARD		ON REQUEST	
	<b>DIMENSIONS (mm)</b>	C: -	G: -	C:
	D: -	$\alpha^\circ$ : -	D:	$\alpha^\circ$ :
	E: -	$\beta^\circ$ : -	E:	$\beta^\circ$ :
	F: -		F:	
<b>SHEET WIDTH (mm)</b>	S: -		S: max 1.250	
<b>LENGTH (mm)</b>	L: 4.000		L: 3.000 - 4.000- 6.000	
<b>THICKNESS (mm)</b>	t: 1,50		t: 0,75 - 0,90 - 1,00 - 2,00	
<b>COLOUR (RAL)</b>	GALVANISED UNCOATED		ON REQUEST	



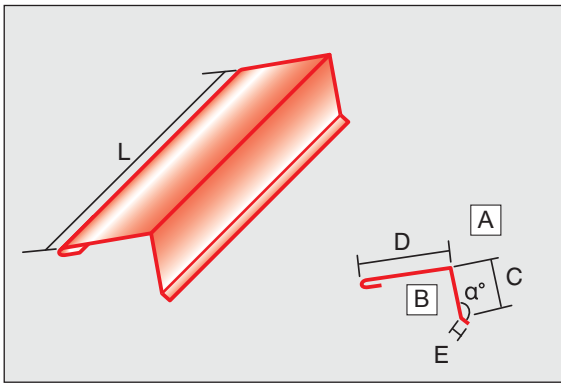
CORE



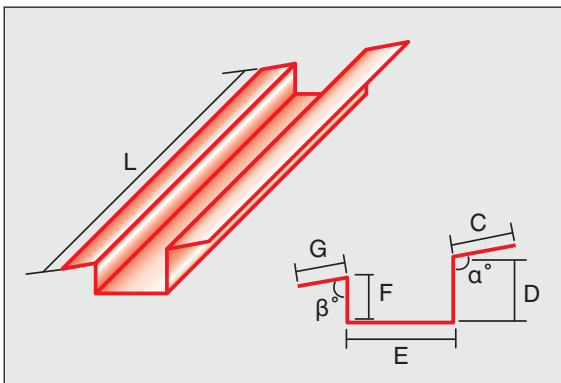
**CURVED EAVE INSULATED GUTTER**



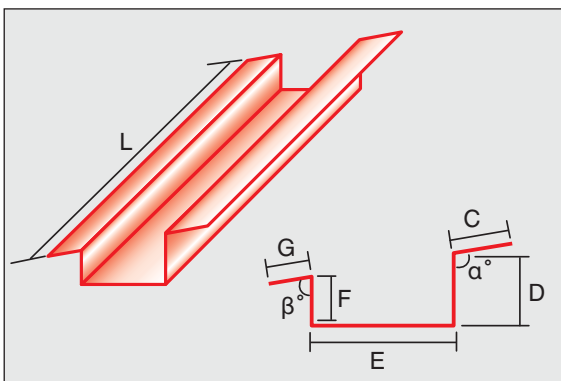
REFERENCE NUMBER	DESCRIPTION
R28.001	EAVES FLASHING
R28.002	INNER GUTTER
R28.003	GUTTER MASK



R28.001	STANDARD		ON REQUEST	
DIMENSIONS (mm)	C: 60 + W	$\alpha^\circ$ : 160	C:	$\alpha^\circ$ :
	D: 200		D:	
	E: 15		E:	
SHEET WIDTH (mm)	S: 290 + W (panel thickness)		S: max 1.200	
LENGTH (mm)	L: 4.000		L: 1.000_6.000	
THICKNESS (mm)	t: 0,75		t: 0,50 - 0,60 - 0,90	
COLOUR (RAL)	9002 - 9006 - 1015 - 3003		ON REQUEST	



R28.002	STANDARD		ON REQUEST	
DIMENSIONS (mm)	C: -	G: -	C:	G:
	D: -	$\alpha^\circ$ : -	D:	$\alpha^\circ$ :
	E: -	$\beta^\circ$ : -	E:	$\beta^\circ$ :
	F: -		F:	
SHEET WIDTH (mm)	S: -		S: max 1.250	
LENGTH (mm)	L: 4.000		L: 3.000 - 4.000 - 6.000	
THICKNESS (mm)	t: 1,50		t: 0,75 - 0,90 - 1,00 - 2,00	
COLOUR (RAL)	GALVANISED UNCOATED		ON REQUEST	



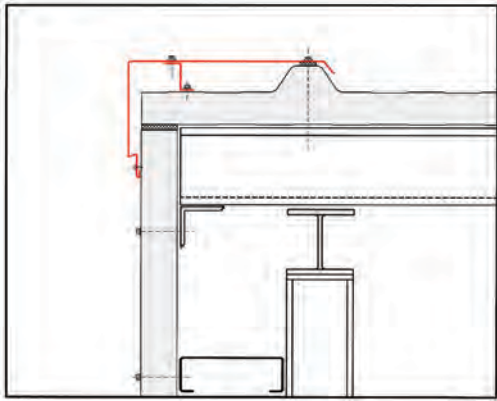
R28.003	STANDARD		ON REQUEST	
DIMENSIONS (mm)	C: -	G: -	C:	G:
	D: -	$\alpha^\circ$ : -	D:	$\alpha^\circ$ :
	E: -	$\beta^\circ$ : -	E:	$\beta^\circ$ :
	F: -		F:	
SHEET WIDTH (mm)	S: -		S: max 1.250	
LENGTH (mm)	L: 4.000		L: 3.000 - 4.000 - 6.000	
THICKNESS (mm)	t: 1,50		t: 0,75 - 0,90 - 1,00 - 2,00	
COLOUR (RAL)	GALVANISED UNCOATED		ON REQUEST	



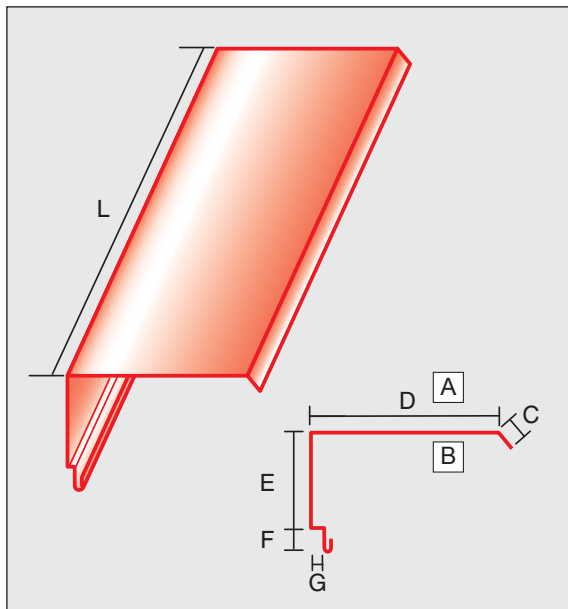
CORE



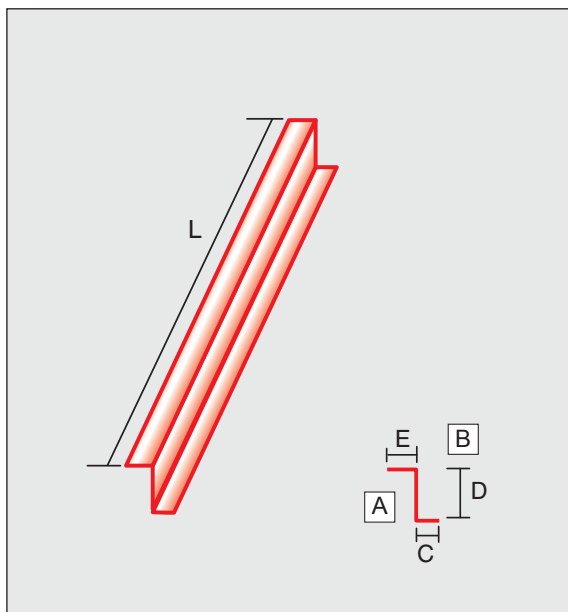
### VERGE WALL CLADDING



REFERENCE NUMBER	DESCRIPTION
R40.001	VERGE FLASHING
R40.002	VERGE "Z" SUPPORT



R40.001	STANDARD		ON REQUEST	
<b>DIMENSIONS (mm)</b>	C: 25	G: 20	C: 25	G:
	D: -	$\alpha^\circ$ : 123	D:	$\alpha^\circ$ :
	E: 100+W		E:	
	F: 30		F:	
<b>SHEET WIDTH (mm)</b>	S: 190+D+W (panel thickness)		S: max 1.250	
<b>LENGTH (mm)</b>	L: 4.000		L: 1.000_6.000	
<b>THICKNESS (mm)</b>	t: 0,75		t: 0,50 - 0,60 - 0,90	
<b>COLOUR (RAL)</b>	9002 - 9006 - 1015 - 3003		ON REQUEST	



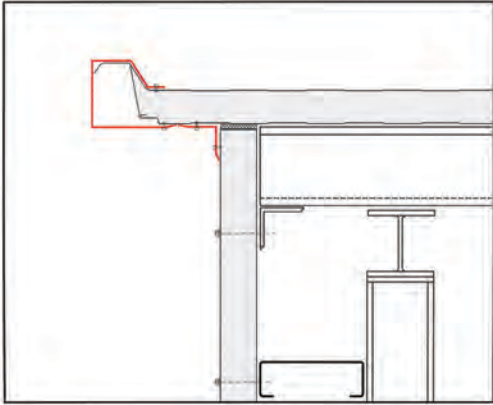
R40.002	STANDARD		ON REQUEST	
<b>DIMENSIONS (mm)</b>	C: 30		C: X	
	D: 42		D: X	
	E: 30		E: X	
<b>SHEET WIDTH (mm)</b>	S: 102		S: max 1.250	
<b>LENGTH (mm)</b>	L: 3.000		L: 1.000_6.000	
<b>THICKNESS (mm)</b>	t: 0,75		t: 0,50 - 0,60 - 0,90	
<b>COLOUR (RAL)</b>	9002 - 9006 - 1015 - 3003		ON REQUEST	



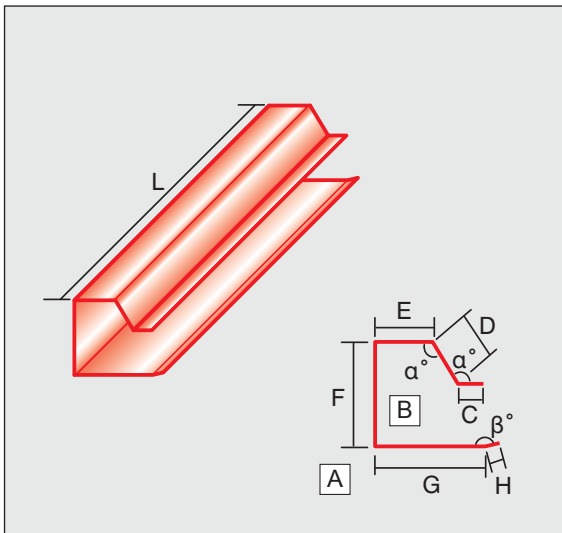
CORE



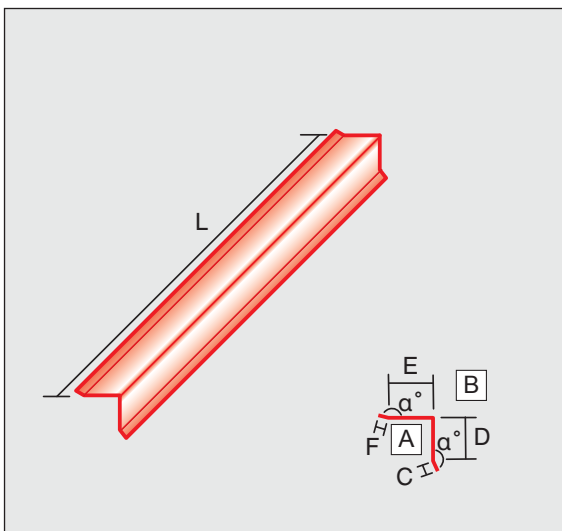
**VERGE WALL CLADDING (START OF ECOPANEL)**



REFERENCE NUMBER	DESCRIPTION
R41.001	ECOPANEL START TAPPING FLASHING
R41.002	ANGLE FLASHING



R41.001	STANDARD		ON REQUEST	
<b>DIMENSIONS (mm)</b>	C: 20	G: 110	C: 20	G:
	D: 50	H: 10	D: 50	H: 10
	E: 55	$\alpha^\circ$ : 130	E:	$\alpha^\circ$ : 130
	F: 40 + W	$\beta^\circ$ : 170	F: 40 + W	$\beta^\circ$ : 170
<b>SHEET WIDTH (mm)</b>	S: 285 + W (panel thickness)		S: max 1.250	
<b>LENGTH (mm)</b>	L: 4.000		L: 1.000_6.000	
<b>THICKNESS (mm)</b>	t: 0,75		t: 0,50 - 0,60 - 0,90	
<b>COLOUR (RAL)</b>	9002 - 9006 - 1015 - 3003		ON REQUEST	



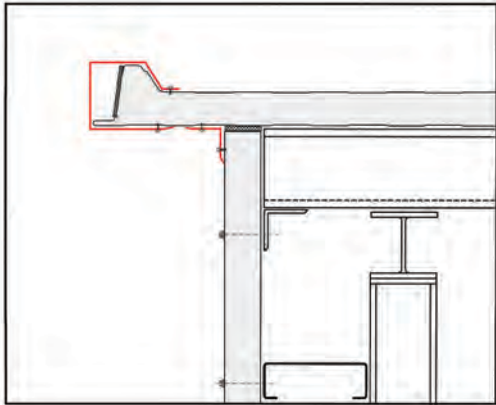
R41.002	STANDARD		ON REQUEST	
<b>DIMENSIONS (mm)</b>	C: 15	$\alpha^\circ$ : 170	C:	$\alpha^\circ$ : 170
	D: 65		D:	
	E: 65		E:	
	F: 15		F:	
<b>SHEET WIDTH (mm)</b>	S: 160		S: max 1.250	
<b>LENGTH (mm)</b>	L: 4.000		L: 1.000_6.000	
<b>THICKNESS (mm)</b>	t: 0,75		t: 0,50 - 0,60 - 0,90	
<b>COLOUR (RAL)</b>	9002 - 9006 - 1015 - 3003		ON REQUEST	



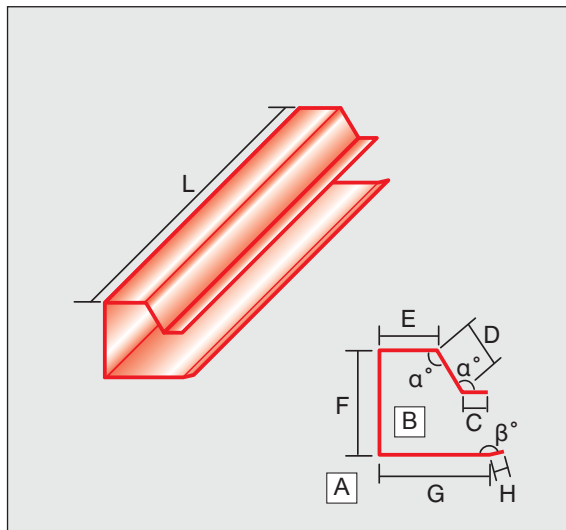
CORE



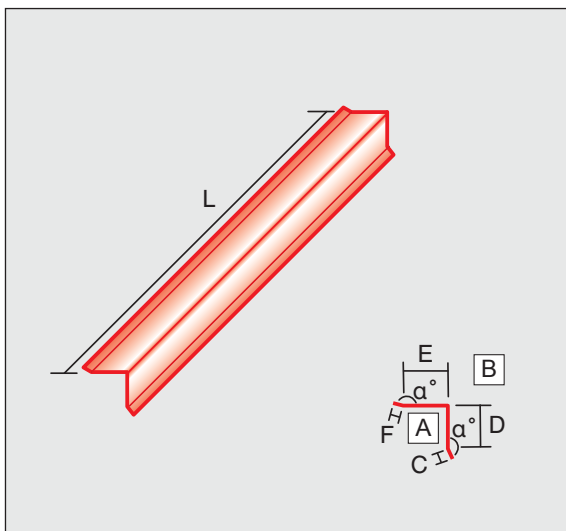
VERGE WALL CLADDING (END OF ECOPANEL)



REFERENCE NUMBER	DESCRIPTION
R42.001	ECOPANEL END TAPPING FLASHING
R41.002	ANGLE FLASHING



R42.001	STANDARD		ON REQUEST	
DIMENSIONS (mm)	C: 20	G: 40	C: 20	G:
	D: 50	H: 10	D: 50	H: 10
	E: 75	$\alpha^\circ$ : 130	E:	$\alpha^\circ$ : 130
	F: 40 + W	$\beta^\circ$ : 170	F: 40 + W	$\beta^\circ$ : 170
SHEET WIDTH (mm)	S: 235 + W (panel thickness)		S: max 1.250	
LENGTH (mm)	L: 4.000		L: 1.000_6.000	
THICKNESS (mm)	t: 0,75		t: 0,50 - 0,60 - 0,90	
COLOUR (RAL)	9002 - 9006 - 1015 - 3003		ON REQUEST	



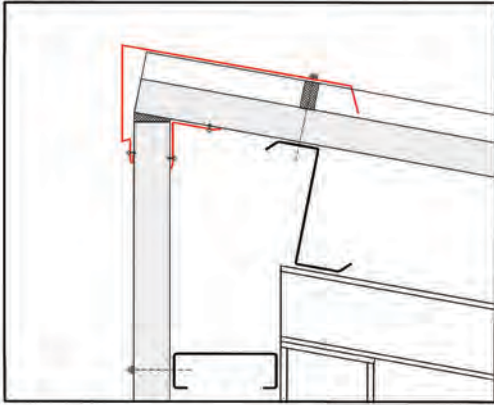
R41.002	STANDARD		ON REQUEST	
DIMENSIONS (mm)	C: 15	$\alpha^\circ$ : 170	C:	$\alpha^\circ$ : 170
	D: 65		D:	
	E: 65		E:	
	F: 15		F:	
SHEET WIDTH (mm)	S: 160		S: max 1.250	
LENGTH (mm)	L: 4.000		L: 1.000_6.000	
THICKNESS (mm)	t: 0,75		t: 0,50 - 0,60 - 0,90	
COLOUR (RAL)	9002 - 9006 - 1015 - 3003		ON REQUEST	



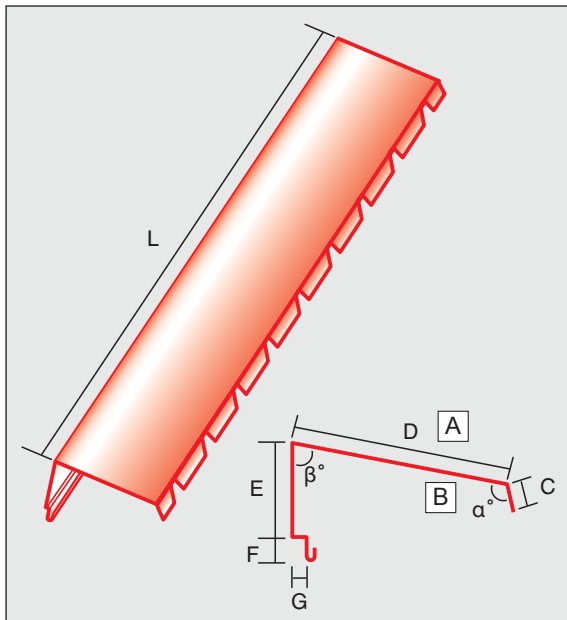
CORE



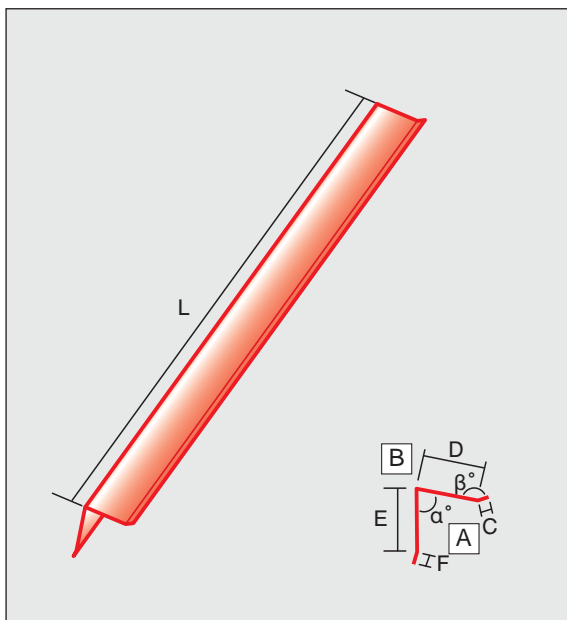
MONO RIDGE



REFERENCE NUMBER	DESCRIPTION
R43.001	MONO RIDGE FLASHING
R43.002	INTERNAL ANGLE FLASHING



R43.001	STANDARD		ON REQUEST	
DIMENSIONS (mm)	C: 45	G: 20	C: 45	G:
	D: 275	$\alpha^\circ$ : 120	D:	$\alpha^\circ$ : 120
	E: 100 + W	$\beta^\circ$ : -	E:	$\beta^\circ$ :
	F: 30		F:	
SHEET WIDTH (mm)	S: 460 + W (panel thickness)		S: max 1.250	
LENGTH (mm)	L: 3.000		L: 3.000	
THICKNESS (mm)	t: 0,75		t: 0,50 - 0,60 - 0,90	
COLOUR (RAL)	9002 - 9006 - 1015 - 3003		ON REQUEST	



R43.002	STANDARD		ON REQUEST	
DIMENSIONS (mm)	C: 15	$\alpha^\circ$ :	C:	$\alpha^\circ$ :
	D: 65	$\beta^\circ$ : 170	D:	$\beta^\circ$ :
	E: 65		E:	
	F: 15		F:	
SHEET WIDTH (mm)	S: 160		S: max 1.250	
LENGTH (mm)	L: 4.000		L: 1.000_6.000	
THICKNESS (mm)	t: 0,75		t: 0,50 - 0,60 - 0,90	
COLOUR (RAL)	9002 - 9006 - 1015 - 3003		ON REQUEST	

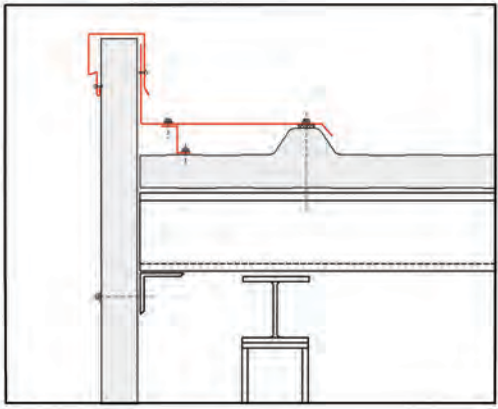




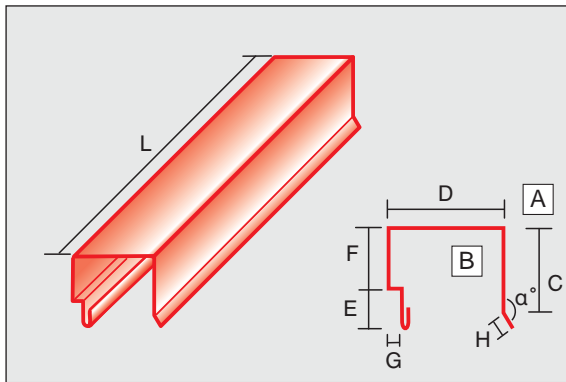
CORE



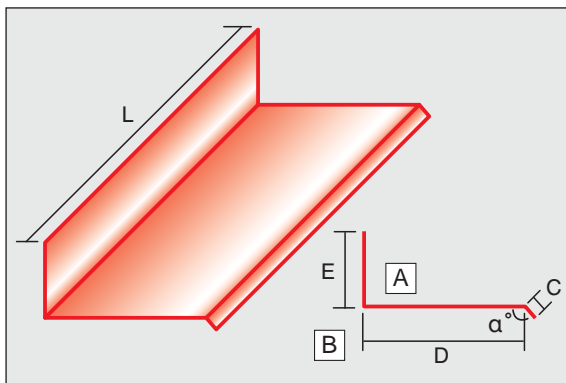
VERGE PARAPET CLADDING



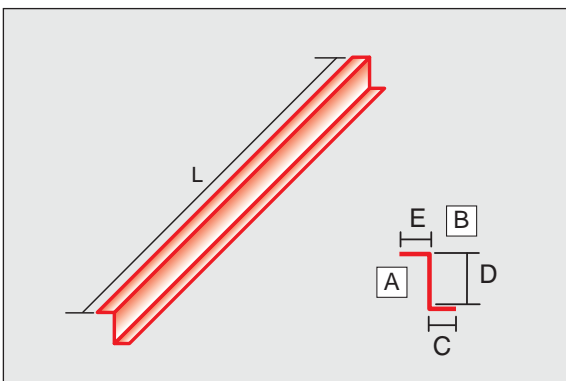
REFERENCE NUMBER	DESCRIPTION
R44.001	PARAPET FLASHING
R44.002	FLASHING
R40.002	VERGE "Z" SUPPORT



R44.001	STANDARD		ON REQUEST	
DIMENSIONS (mm)	C: 100	G: 20	C:	G:
	D: 20 + W	H: 15	D:	H:
	E: 30	$\alpha^\circ$ : 170	E:	
	F: 110		F:	
SHEET WIDTH (mm)	S: 310 + W (panel thickness)		S: max 1.250	
LENGTH (mm)	L: 4.000		L: 1.000_6.000	
THICKNESS (mm)	t: 0,75		t: 0,50 - 0,60 - 0,90	
COLOUR (RAL)	9002 - 9006 - 1015 - 3003		ON REQUEST	



R44.002	STANDARD		ON REQUEST	
DIMENSIONS (mm)	C: 30	$\alpha^\circ$ : 123	C: 30	$\alpha^\circ$ : 123
	D:		D:	
	E:		E:	
SHEET WIDTH (mm)	S:		S: max 1.250	
LENGTH (mm)	L: 4.000		L: 1.000_6.000	
THICKNESS (mm)	t: 0,75		t: 0,50 - 0,60 - 0,90	
COLOUR (RAL)	9002 - 9006 - 1015 - 3003		ON REQUEST	



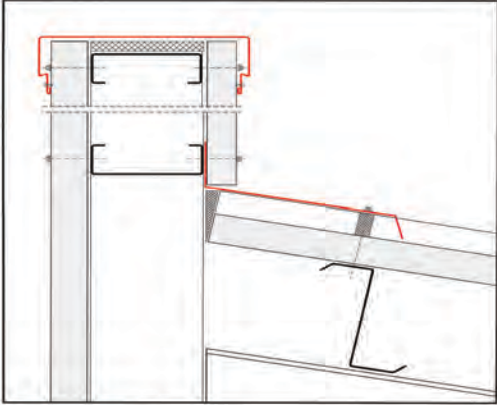
R40.002	STANDARD		ON REQUEST	
DIMENSIONS (mm)	C: 30		C:	
	D: 42		D: 42	
	E: 30		E:	
SHEET WIDTH (mm)	S: 102		S: max 1.200	
LENGTH (mm)	L: 4.000		L: 1.000_6.000	
THICKNESS (mm)	t: 0,75		t: 0,50 - 0,60 - 0,90	
COLOUR (RAL)	9002 - 9006 - 1015 - 3003		ON REQUEST	



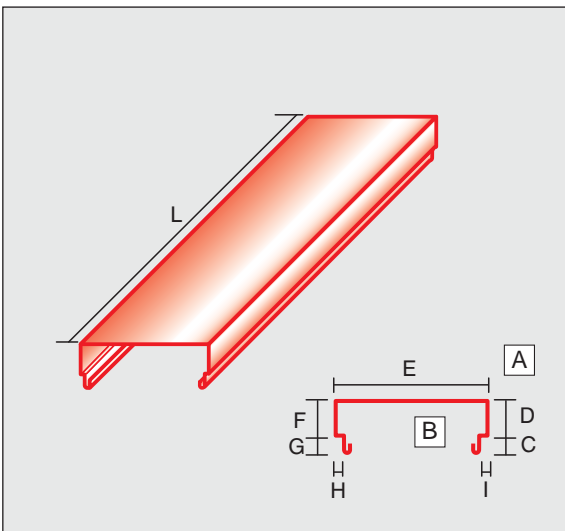
CORE



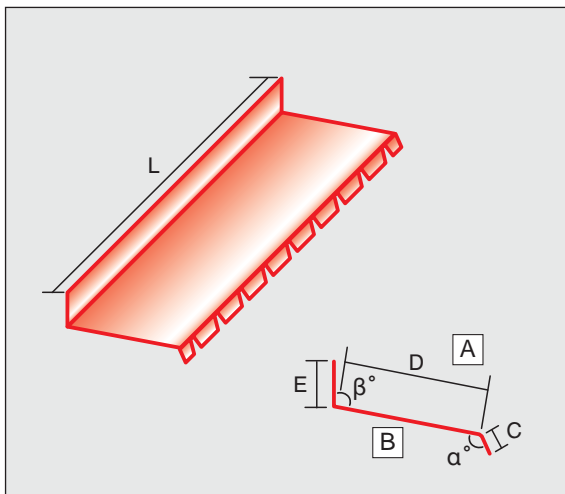
**MONO RIDGE PARAPET CLADDING**



REFERENCE NUMBER	DESCRIPTION
R25.001	PARAPET FLASHING
R46.001	FLASHING WITH METAL FILLER END



R25.001	STANDARD		ON REQUEST	
DIMENSIONS (mm)	C: 30	G: 30	C:	G:
	D: 90	H: 20	D:	H:
	E:	I: 20	E:	I:
	F: 90		F:	
SHEET WIDTH (mm)	S: 310 + E		S: max 1.250	
LENGTH (mm)	L: 4.000		L: 1.000_6.000	
THICKNESS (mm)	t: 0,75		t: 0,50 - 0,60 - 0,90	
COLOUR (RAL)	9002 - 9006 - 1015 - 3003		ON REQUEST	



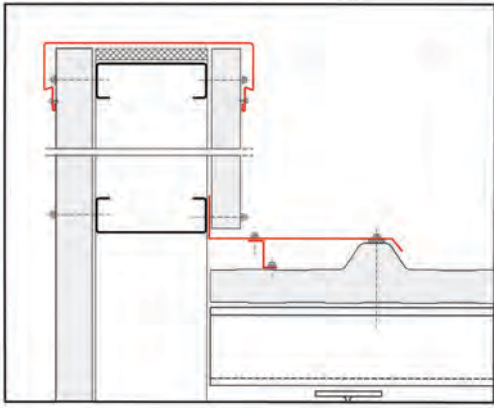
R46.001	STANDARD		ON REQUEST	
DIMENSIONS (mm)	C: 45	$\alpha^\circ$ : 120	C: 45	$\alpha^\circ$ : 120
	D: 275	$\beta^\circ$ :	D:	$\beta^\circ$ :
	E: 80		E:	
			F:	
SHEET WIDTH (mm)	S: 400		S: max 1.250	
LENGTH (mm)	L: 3.000		L: 3.000	
THICKNESS (mm)	t: 0,75		t: 0,50 - 0,60 - 0,90	
COLOUR (RAL)	9002 - 9006 - 1015 - 3003		ON REQUEST	



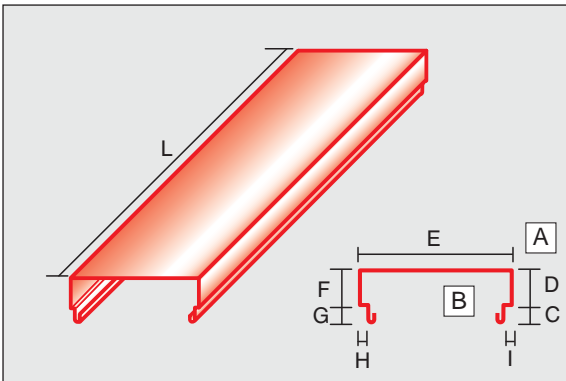
CORE



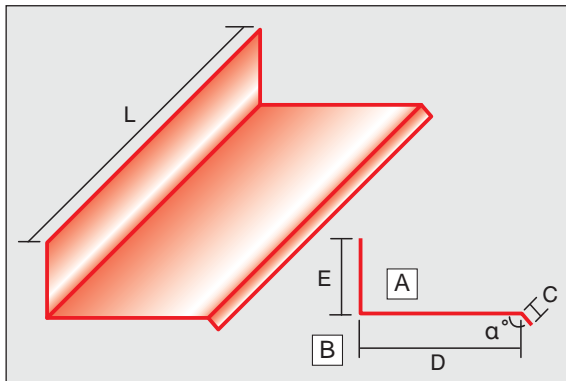
**VERGE PARAPET CLADDING WITH SUB CONSTRUCTION**



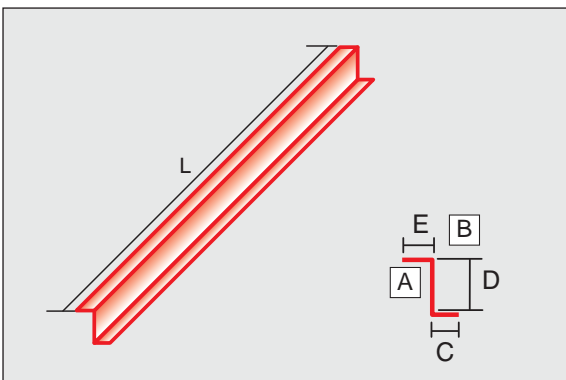
REFERENCE NUMBER	DESCRIPTION
R25.001	PARAPET FLASHING
R44.002	FLASHING
R40.002	VERGE "Z" SUPPORT



R25.001	STANDARD		ON REQUEST	
	<b>DIMENSIONS (mm)</b>	C: 30 D: 90 E: F: 90	G: 30 H: 20 I : 20	C: D: E: F:
<b>SHEET WIDTH (mm)</b>	S: 310 + E		S: max 1.250	
<b>LENGTH (mm)</b>	L: 4.000		L: 1.000_6.000	
<b>THICKNESS (mm)</b>	t: 0,75		t: 0,50 - 0,60 - 0,90	
<b>COLOUR (RAL)</b>	9002 - 9006 - 1015 - 3003		ON REQUEST	



R44.002	STANDARD		ON REQUEST	
	<b>DIMENSIONS (mm)</b>	C: 30 D: E:	$\alpha^\circ$ : 123	C: 30 D: E: F:
<b>SHEET WIDTH (mm)</b>	S:		S: max 1.250	
<b>LENGTH (mm)</b>	L: 4.000		L: 1.000_6.000	
<b>THICKNESS (mm)</b>	t: 0,75		t: 0,50 - 0,60 - 0,90	
<b>COLOUR (RAL)</b>	9002 - 9006 - 1015 - 3003		ON REQUEST	



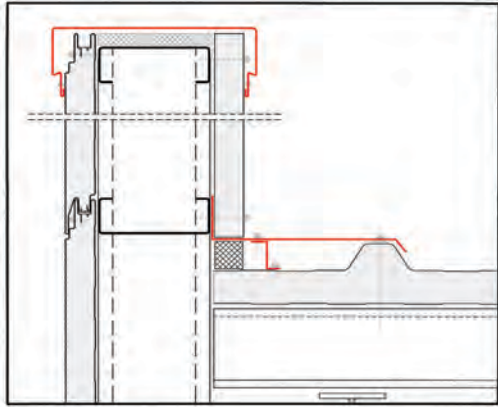
R40.002	STANDARD		ON REQUEST	
	<b>DIMENSIONS (mm)</b>	C: 30 D: 42 E: 30		C: X D: X E: X
<b>SHEET WIDTH (mm)</b>	S: 102		S: max 1.250	
<b>LENGTH (mm)</b>	L: 4.000		L: 1.000_6.000	
<b>THICKNESS (mm)</b>	t: 0,75		t: 0,50 - 0,60 - 0,90	
<b>COLOUR (RAL)</b>	9002 - 9006 - 1015 - 3003		ON REQUEST	



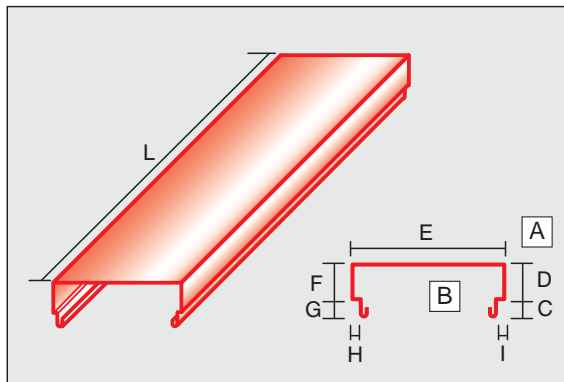
CORE



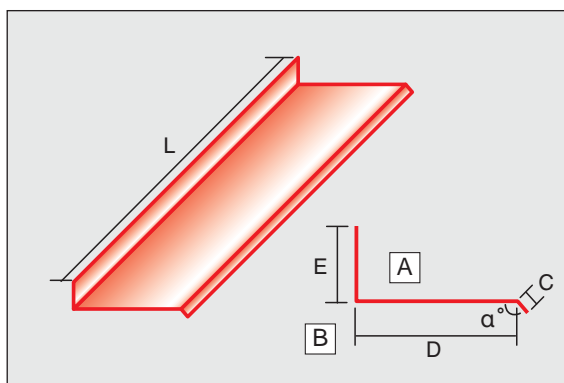
## VERGE PARAPET CLADDING WITH SUB CONSTRUCTION



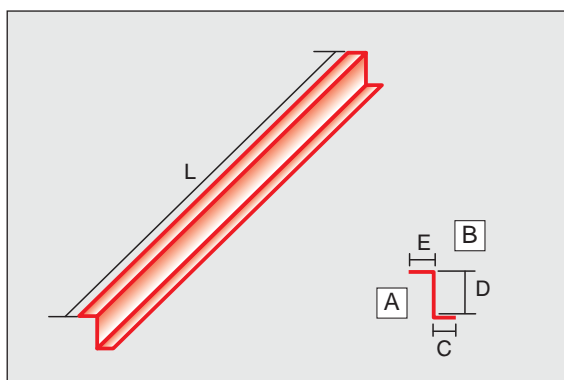
REFERENCE NUMBER	DESCRIPTION
R25.001	PARAPET FLASHING
R44.002	FLASHING
R40.002	VERGE "Z" SUPPORT



R25.001	STANDARD		ON REQUEST	
	<b>DIMENSIONS (mm)</b>	C: 30 D: 90 E: F: 90	G: 30 H: 20 I : 20	C: D: E: F:
<b>SHEET WIDTH (mm)</b>	S: 310 + E		S: max 1.250	
<b>LENGTH (mm)</b>	L: 4.000		L: 1.000_6.000	
<b>THICKNESS (mm)</b>	t: 0,75		t: 0,50 - 0,60 - 0,90	
<b>COLOUR (RAL)</b>	9002 - 9006 - 1015 - 3003		ON REQUEST	



R44.002	STANDARD		ON REQUEST	
	<b>DIMENSIONS (mm)</b>	C: 30 D: E:	α°: 123	C: 30 D: E: F:
<b>SHEET WIDTH (mm)</b>	S:		S: max 1.250	
<b>LENGTH (mm)</b>	L: 4.000		L: 1.000_6.000	
<b>THICKNESS (mm)</b>	t: 0,75		t: 0,50 - 0,60 - 0,90	
<b>COLOUR (RAL)</b>	9002 - 9006 - 1015 - 3003		ON REQUEST	



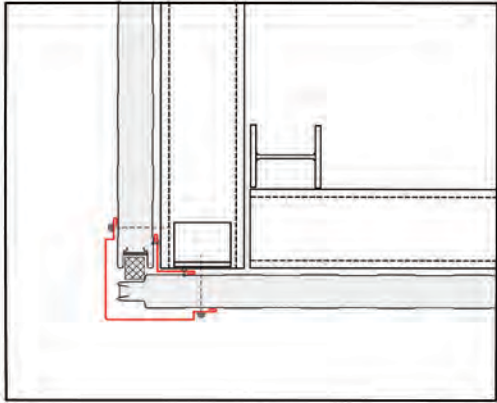
R40.002	STANDARD		ON REQUEST	
	<b>DIMENSIONS (mm)</b>	C: 30 D: 42 E: 30		C: X D: X E: X
<b>SHEET WIDTH (mm)</b>	S: 102		S: max 1.250	
<b>LENGTH (mm)</b>	L: 4.000		L: 1.000_6.000	
<b>THICKNESS (mm)</b>	t: 0,75		t: 0,50 - 0,60 - 0,90	
<b>COLOUR (RAL)</b>	9002 - 9006 - 1015 - 3003		ON REQUEST	



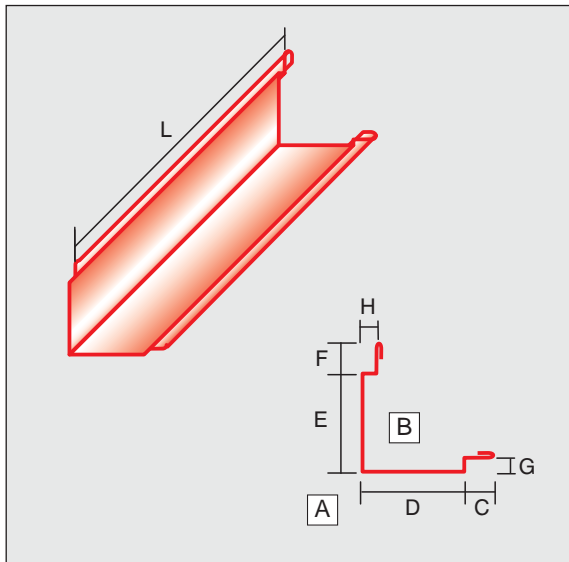
CORE



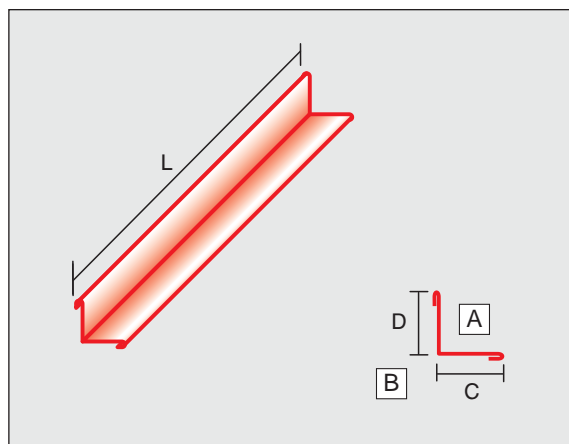
### EXTERNAL CORNER



REFERENCE NUMBER	DESCRIPTION
WL10.001	EXTERNAL ANGLE FLASHING
WL10.002	INTERNAL ANGLE FLASHING



WL10.001	STANDARD		ON REQUEST	
<b>DIMENSIONS (mm)</b>	C: 30	G: 20	C:	G:
	D: 80 + W	H: 20	D:	H:
	E: 80 + W		E:	
	F: 30		F:	
<b>SHEET WIDTH (mm)</b>	S: 250+2W (panel thickness)		S: max 1.250	
<b>LENGTH (mm)</b>	L: 4.000		L: 1.000_6.000	
<b>THICKNESS (mm)</b>	t: 0,75		t: 0,50 - 0,60 - 0,90	
<b>COLOUR (RAL)</b>	9002 - 9006 - 1015 - 3003		ON REQUEST	



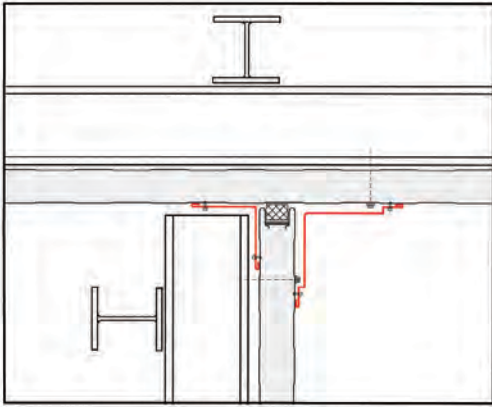
WL10.002	STANDARD		ON REQUEST	
<b>DIMENSIONS (mm)</b>	C: 65		C:	
	D: 65		D:	
			E:	
			F:	
<b>SHEET WIDTH (mm)</b>	S: 160		S: max 1.250	
<b>LENGTH (mm)</b>	L: 4.000		L: 1.000_6.000	
<b>THICKNESS (mm)</b>	t: 0,75		t: 0,50 - 0,60 - 0,90	
<b>COLOUR (RAL)</b>	9002 - 9006 - 1015 - 3003		ON REQUEST	



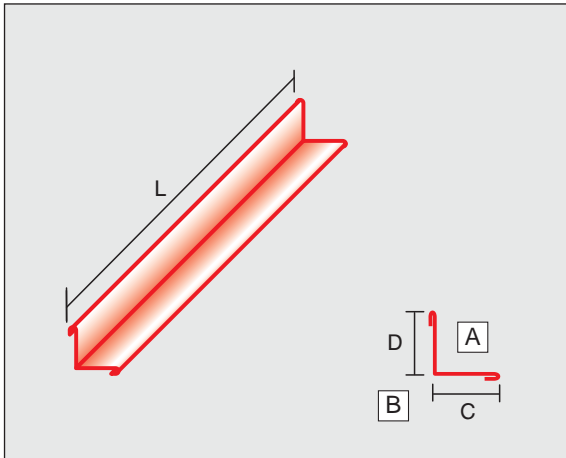
CORE



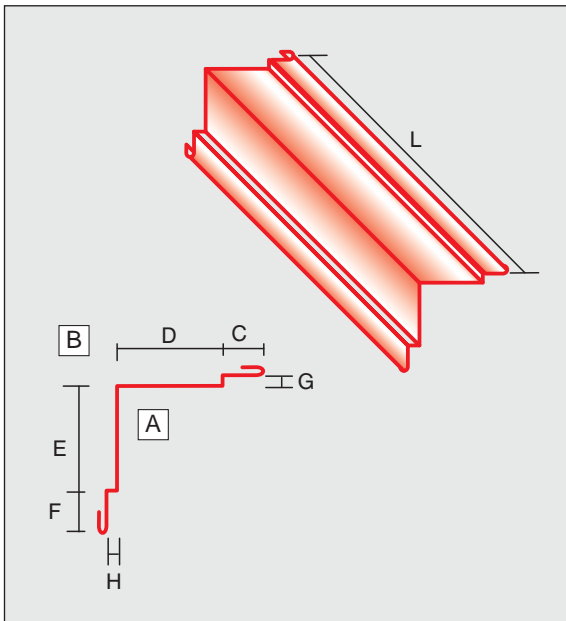
INTERNAL CORNER



REFERENCE NUMBER	DESCRIPTION
WL10.002	INTERNAL ANGLE FLASHING
WL11.001	EXTERNAL ANGLE FLASHING



WL10.002	STANDARD	ON REQUEST
DIMENSIONS (mm)	C: 65	C:
	D: 65	D:
		E:
		F:
SHEET WIDTH (mm)	S: 160	S: max 1.250
LENGTH (mm)	L: 4.000	L: 1.000_6.000
THICKNESS (mm)	t: 0,75	t: 0,50 - 0,60 - 0,90
COLOUR (RAL)	9002 - 9006 - 1015 - 3003	ON REQUEST



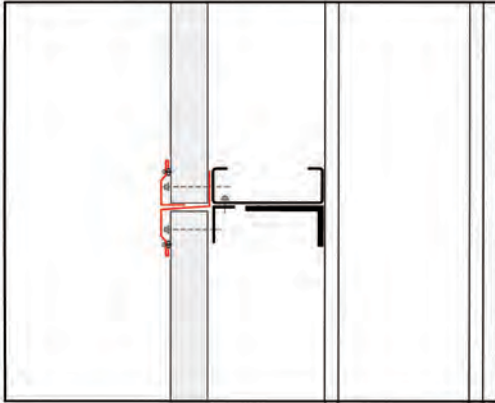
WL11.001	STANDARD	ON REQUEST
DIMENSIONS (mm)	C: 30	G: 20
	D: 96	H: 20
	E: 96	
	F: 30	
SHEET WIDTH (mm)	S: 322	S: max 1.250
LENGTH (mm)	L: 4.000	L: 1.000_6.000
THICKNESS (mm)	t: 0,75	t: 0,50 - 0,60 - 0,90
COLOUR (RAL)	9002 - 9006 - 1015 - 3003	ON REQUEST



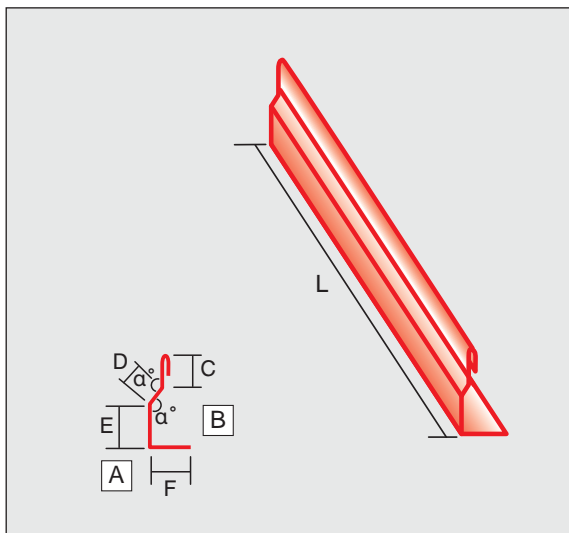
CORE



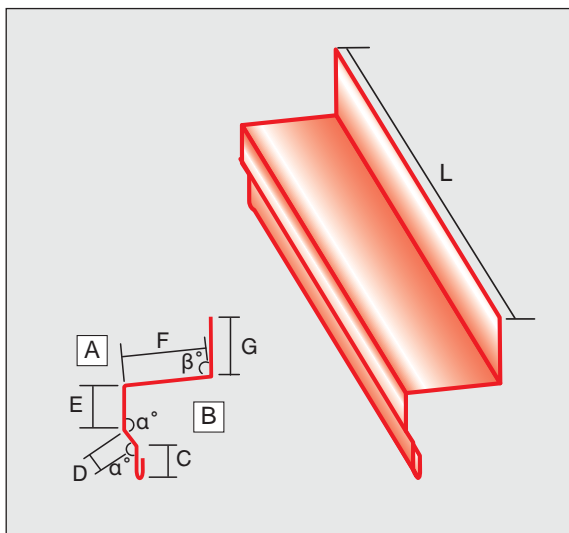
### FACADE PROLONGATION – HORIZONTAL JOIN



REFERENCE NUMBER	DESCRIPTION
WL12.001	FEATURE BAND FLASHING
WL12.002	DRIP FLASHING



WL12.001	STANDARD		ON REQUEST	
<b>DIMENSIONS (mm)</b>	C: 30	$\alpha^\circ$ : 135	C:	$\alpha^\circ$ :
	D: 25		D:	
	E: 80		E:	
	F: 40		F:	
<b>SHEET WIDTH (mm)</b>	S: 190		S:	
<b>LENGTH (mm)</b>	L: 4.000		L: 1.000_6.000	
<b>THICKNESS (mm)</b>	t: 0,75		t: 0,50 - 0,60 - 0,90	
<b>COLOUR (RAL)</b>	9002 - 9006 - 1015 - 3003		ON REQUEST	



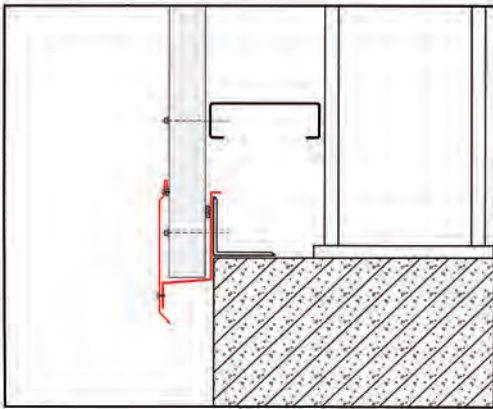
WL12.002	STANDARD		ON REQUEST	
<b>DIMENSIONS (mm)</b>	C: 30	G: 60	C:	G:
	D: 25	$\alpha^\circ$ : 135	D:	$\alpha^\circ$ :
	E: 80	$\beta^\circ$ : 92	E:	$\beta^\circ$ :
	F: 22+W		F:	
<b>SHEET WIDTH (mm)</b>	S: 232+W (panel thickness)		S: max 1.250	
<b>LENGTH (mm)</b>	L: 4.000		L: 1.000_6.000	
<b>THICKNESS (mm)</b>	t: 0,75		t: 0,50 - 0,60 - 0,90	
<b>COLOUR (RAL)</b>	9002 - 9006 - 1015 - 3003		ON REQUEST	



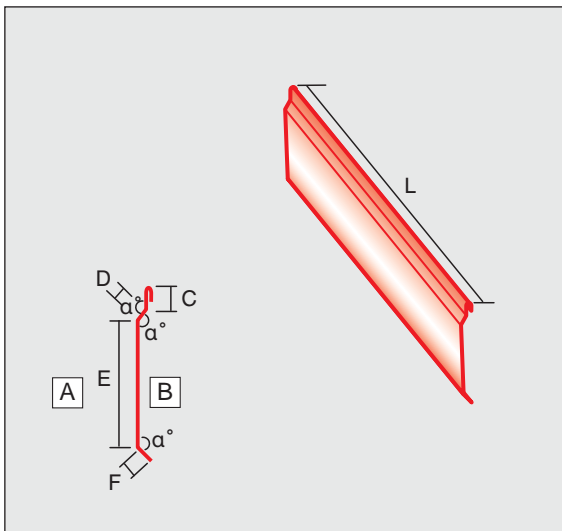
CORE



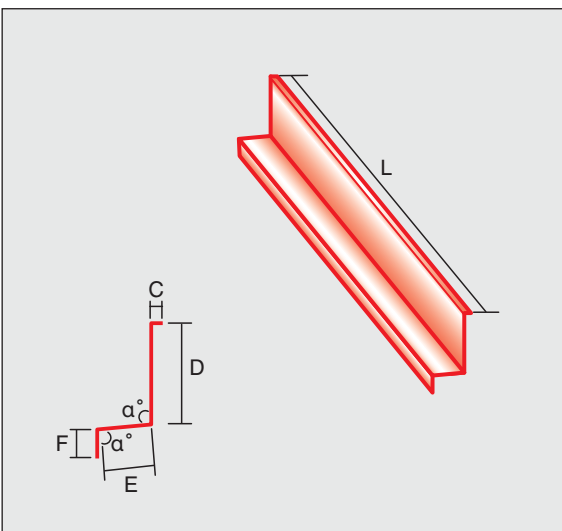
**DRIP FLASHING DETAIL N.1 (ECOPANEL WL-WLC VERTICALLY LAID)**



REFERENCE NUMBER	DESCRIPTION
WL13.001	FEATURE BAND FLASHING
WL13.002	DRIP FLASHING



WL13.001	STANDARD		ON REQUEST	
DIMENSIONS (mm)	C: 30	$\alpha^\circ$ : 135	C:	$\alpha^\circ$ :
	D: 25		D:	
	E: 165		E:	
	F: 50		F:	
SHEET WIDTH (mm)	S: 285		S: max 1.250	
LENGTH (mm)	L: 4.000		L: 1.000_6.000	
THICKNESS (mm)	t: 0,75		t: 0,50 - 0,60 - 0,90	
COLOUR (RAL)	9002 - 9006 - 1015 - 3003		ON REQUEST	



WL13.002	STANDARD		ON REQUEST	
DIMENSIONS (mm)	C: 20	$\alpha^\circ$ : 92	C:	$\alpha^\circ$ :
	D: 150		D:	
	E: 22+W		E:	
	F: 60		F:	
SHEET WIDTH (mm)	S: 242+W (panel thickness)		S: max 1.250	
LENGTH (mm)	L: 4.000		L: 3.000 - 4.000 - 6.000	
THICKNESS (mm)	t: 1,50		t: 0,75 - 0,90 - 1,00 - 2,00	
COLOUR (RAL)	GALVANISED UNCOATED		ON REQUEST	

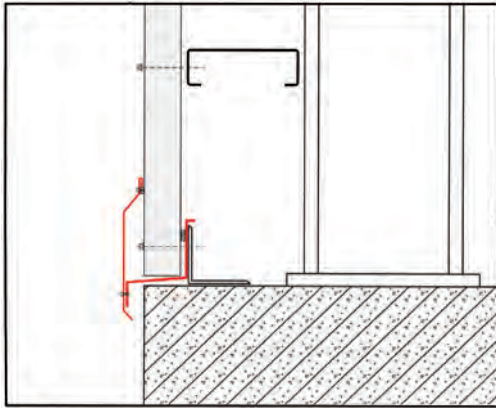




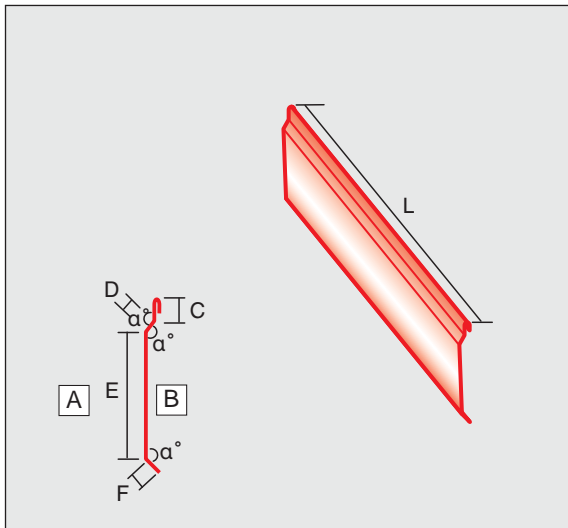
CORE



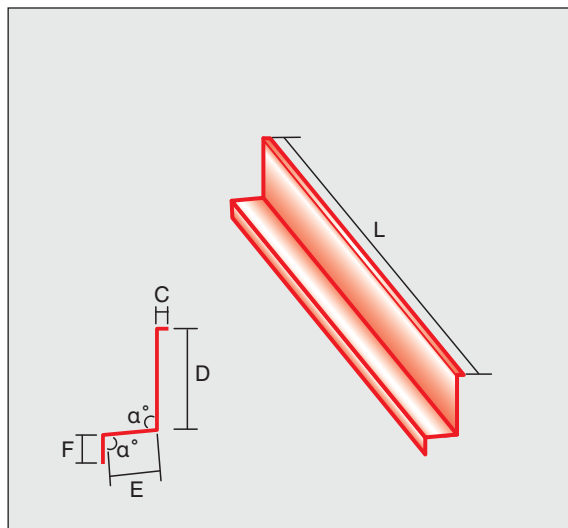
**DRIP FLASHING DETAIL N.2 (ECOPANEL WL-WLC VERTICALLY LAID)**



REFERENCE NUMBER	DESCRIPTION
WL13.001	FEATURE BAND FLASHING
WL13.002	DRIP FLASHING



WL13.001	STANDARD		ON REQUEST	
<b>DIMENSIONS (mm)</b>	C: 30	$\alpha^\circ$ : 135	C:	$\alpha^\circ$ :
	D: 25		D:	
	E: 165		E:	
	F: 30		F:	
<b>SHEET WIDTH (mm)</b>	S: 285		S: max 1.250	
<b>LENGTH (mm)</b>	L: 4.000		L: 1.000_6.000	
<b>THICKNESS (mm)</b>	t: 0,75		t: 0,50 - 0,60 - 0,90	
<b>COLOUR (RAL)</b>	9002 - 9006 - 1015 - 3003		ON REQUEST	



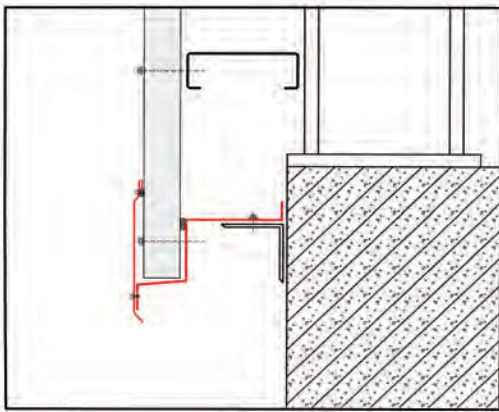
WL13.002	STANDARD		ON REQUEST	
<b>DIMENSIONS (mm)</b>	C: 20	$\alpha^\circ$ : 92	C:	$\alpha^\circ$ :
	D: 100		D:	
	E: 22+W		E:	
	F: 60		F:	
<b>SHEET WIDTH (mm)</b>	S: 202+W (panel thickness)		S: max 1.250	
<b>LENGTH (mm)</b>	L: 4.000		L: 3.000 - 4.000 - 6.000	
<b>THICKNESS (mm)</b>	t: 1,50		t: 0,75 - 0,90 - 1,00 - 2,00	
<b>COLOUR (RAL)</b>	GALVANISED UNCOATED		ON REQUEST	



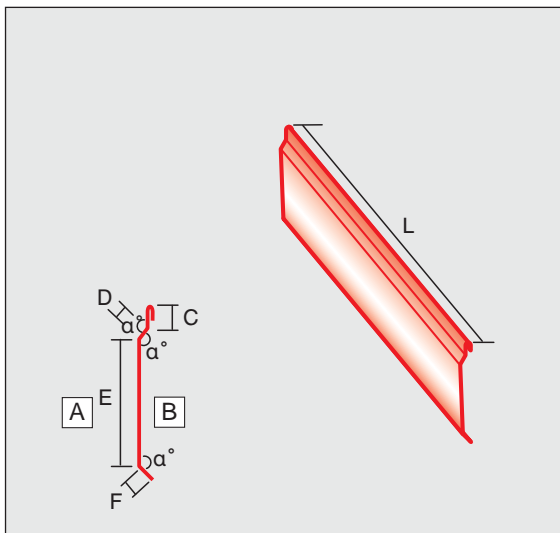
CORE



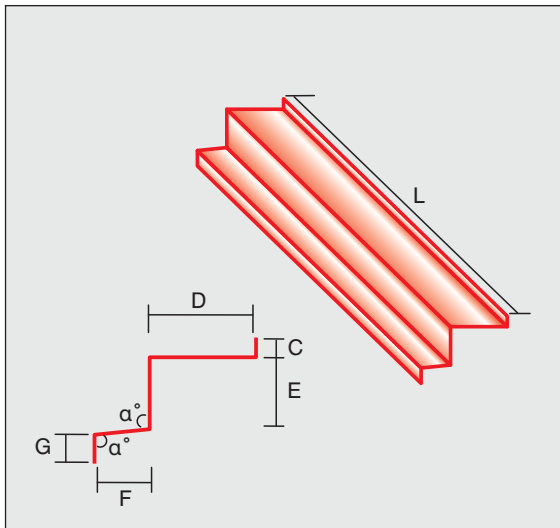
**DRIP FLASHING DETAIL N.3 (ECOPANEL WL-WLC VERTICALLY LAID)**



REFERENCE NUMBER	DESCRIPTION
WL13.001	FEATURE BAND FLASHING
WL15.001	DRIP – SUPPORTING FLASHING



WL13.001	STANDARD		ON REQUEST	
<b>DIMENSIONS (mm)</b>	C: 30	$\alpha^\circ$ : 135	C:	$\alpha^\circ$ :
	D: 25		D:	
	E: 165		E:	
	F: 50		F:	
<b>SHEET WIDTH (mm)</b>	S: 285		S: max 1.250	
<b>LENGTH (mm)</b>	L: 4.000		L: 1.000_6.000	
<b>THICKNESS (mm)</b>	t: 0,75		t: 0,50 - 0,60 - 0,90	
<b>COLOUR (RAL)</b>	9002 - 9006 - 1015 - 3003		ON REQUEST	



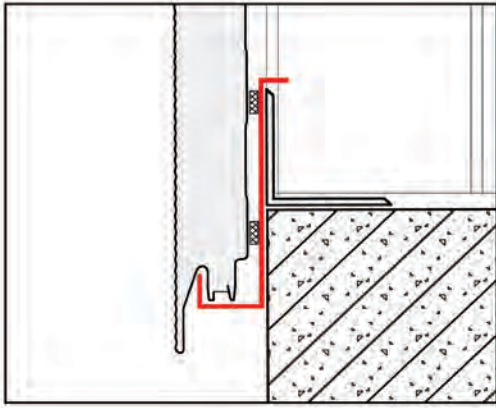
WL15.001	STANDARD		ON REQUEST	
<b>DIMENSIONS (mm)</b>	C: 20	G: 60	C:	G:
	D:	$\alpha^\circ$ : 92	D:	$\alpha^\circ$ :
	E:		E:	
	F: 22+W (panel thickness)		F:	
<b>SHEET WIDTH (mm)</b>	S: 102+D+E+W		S: max 1.250	
<b>LENGTH (mm)</b>	L: 4.000		L: 3.000-4.000-6.000	
<b>THICKNESS (mm)</b>	t: 1,50		t: 0,90-1,00-2,00-0,75	
<b>COLOUR (RAL)</b>	GALVANISED UNCOATED		ON REQUEST	



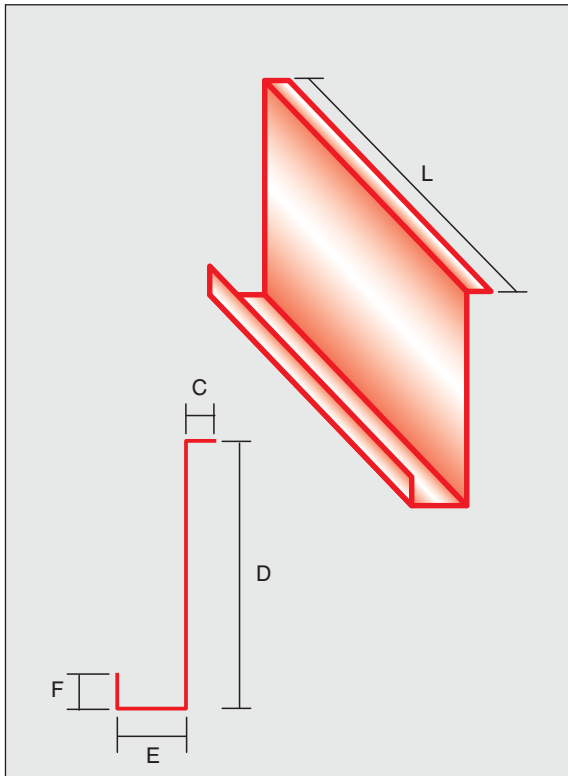
CORE



### DRIP FLASHING DETAIL (ECOPANEL WLC HORIZONTALLY LAID)



REFERENCE NUMBER	DESCRIPTION
WL15.001	SUPPORTING FLASHING



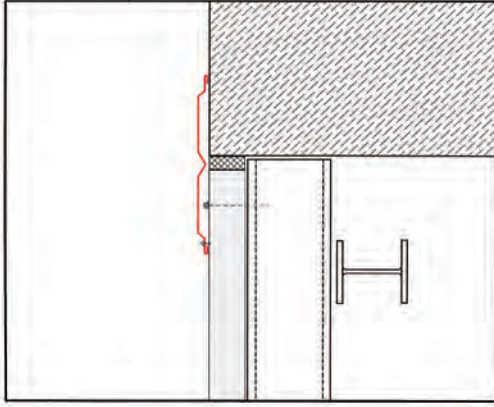
WL15.001	STANDARD	ON REQUEST
<b>DIMENSIONS (mm)</b>	C: 20	C:
	D:	D:
	E: W - 24	E:
	F: 22	F:
<b>SHEET WIDTH (mm)</b>	S: 18+D+W(panel thickness)	S: max 1.200
<b>LENGTH (mm)</b>	L: 4.000	L: 1.000_6.000
<b>THICKNESS (mm)</b>	t: 1,50	t: 1,50
<b>COLOUR (RAL)</b>	GALVANISED UNCOATED	ON REQUEST



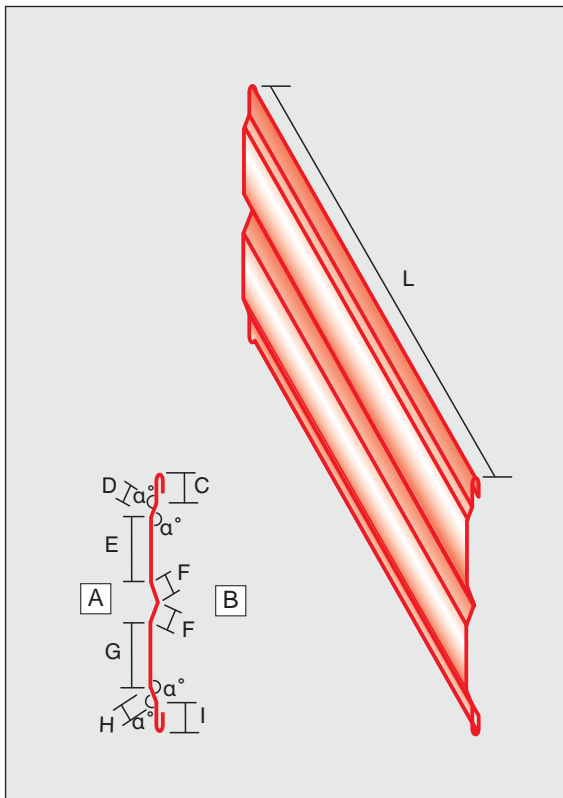
CORE



JOIN TO MASSIVE WALL



REFERENCE NUMBER	DESCRIPTION
WL16.001	EXTERNAL TRIMMING FLASHING



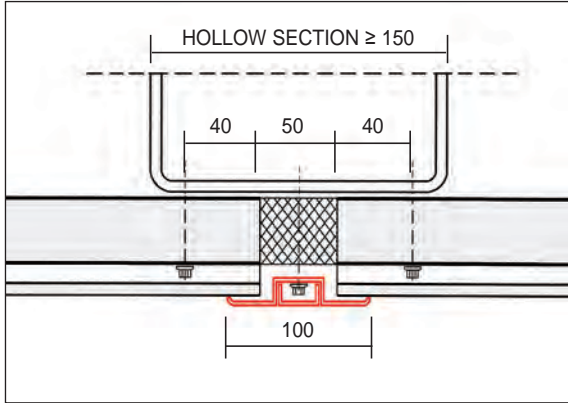
WL16.001	STANDARD		ON REQUEST	
DIMENSIONS (mm)	C: 30	G: 130	C:	G:
	D: 25	H: 30	D:	H:
	E: 130	I: 30	E:	I:
	F: 20	$\alpha^\circ$ : 135	F:	$\alpha^\circ$ :
SHEET WIDTH (mm)	S: 445		S: max 1.250	
LENGTH (mm)	L: 4.000		L: 1.000_6.000	
THICKNESS (mm)	t: 0,75		t: 0,50 - 0,60 - 0,90	
COLOUR (RAL)	9002 - 9006 - 1015 - 3003		ON REQUEST	



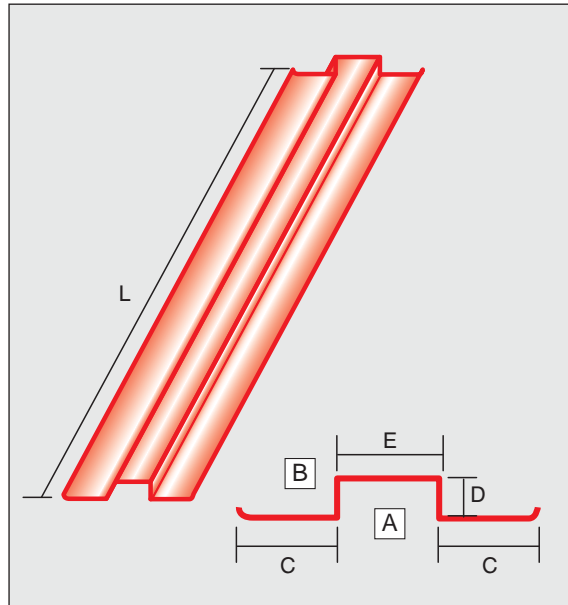
CORE



**VERTICAL JOINT DETAIL N.1 (ECOPANEL WLC HORIZONTALLY LAID)**

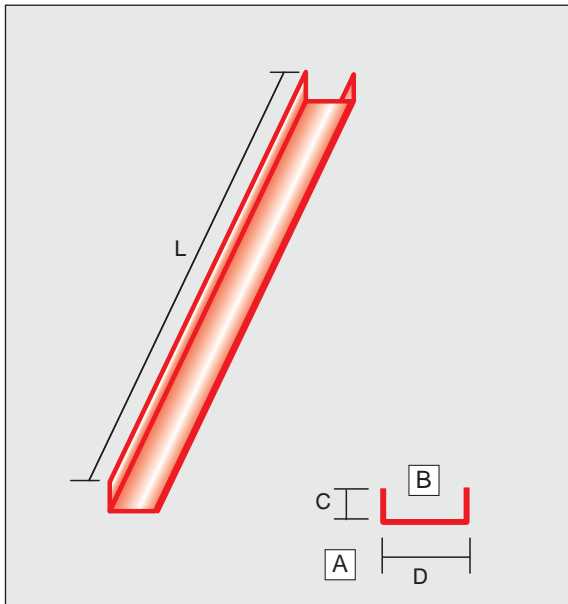


REFERENCE NUMBER	DESCRIPTION
WLC12.001	"OMEGA" COATED ALUMINIUM PROFILE
WLC12.002	"U" COATED ALUMINIUM PROFILE



WLC12.001	STANDARD	ON REQUEST
DIMENSIONS (mm)	C: 32	C: X
	D: 11	D: X
	E: 37	E: X
SHEET WIDTH (mm)	S: 128	S: X
LENGTH (mm)	L: 6.000	L: X
THICKNESS (mm)	t: 1,50	t: X
COLOUR (RAL)	9002 - 9006 - 1015 - 3003	ON REQUEST

ONLY STANDARD DIMENSION



WLC12.002	STANDARD	ON REQUEST
DIMENSIONS (mm)	C: 10	C: X
	D: 31	D: X
SHEET WIDTH (mm)	S: 54	S: X
LENGTH (mm)	L: 6.000	L: X
THICKNESS (mm)	t: 0,50	t: X
COLOUR (RAL)	9002 - 9006 - 1015 - 3003	ON REQUEST

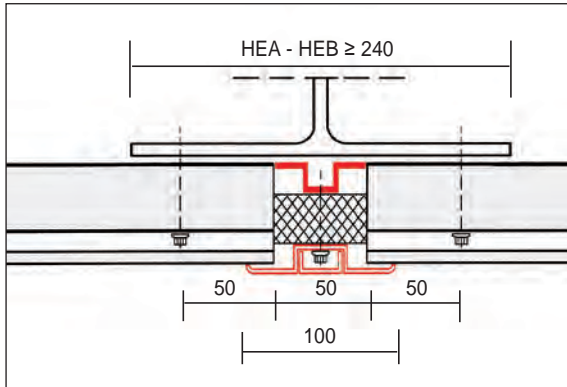
ONLY STANDARD DIMENSION



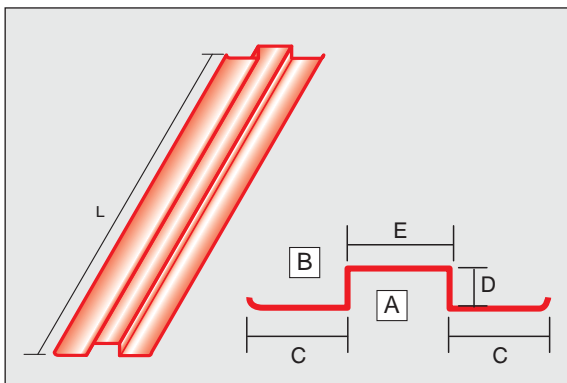
CORE



**VERTICAL JOINT DETAIL N.1 (ECOPANEL WLC HORIZONTALLY LAID)**

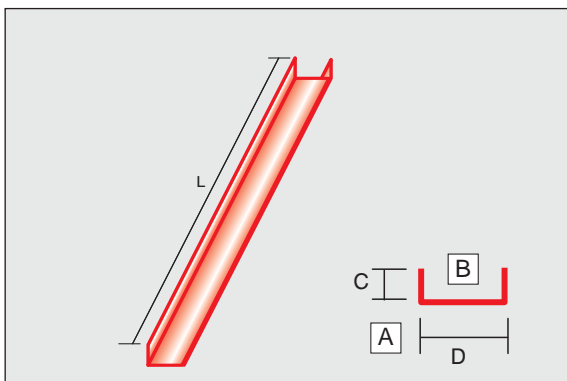


REFERENCE NUMBER	DESCRIPTION
WLC12.001	"OMEGA" COATED ALUMINIUM PROFILE
WLC12.002	"U" COATED ALUMINIUM PROFILE
WLC13.001	SUPPORTING STEEL PROFILE



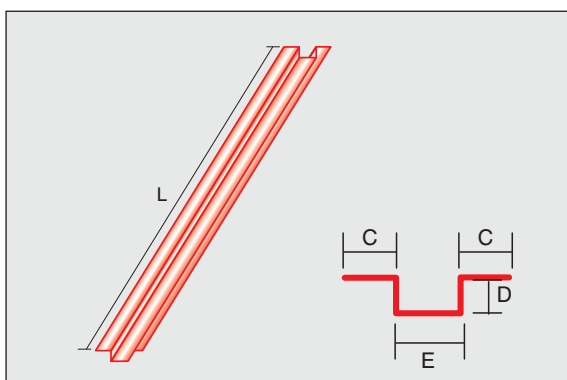
WLC12.001	STANDARD	ON REQUEST
DIMENSIONS (mm)	C: 32	C: X
	D: 11	D: X
	E: 37	E: X
SHEET WIDTH (mm)	S: 128	S: X
LENGTH (mm)	L: 6.000	L: X
THICKNESS (mm)	t: 1,50	t: X
COLOUR (RAL)	9002 - 9006 - 1015 - 3003	ON REQUEST

ONLY STANDARD DIMENSION



WLC12.002	STANDARD	ON REQUEST
DIMENSIONS (mm)	C: 10	C: X
	D: 31	D: X
SHEET WIDTH (mm)	S: 54	S: X
LENGTH (mm)	L: 6.000	L: X
THICKNESS (mm)	t: 0,50	t: X
COLOUR (RAL)	9002 - 9006 - 1015 - 3003	ON REQUEST

ONLY STANDARD DIMENSION



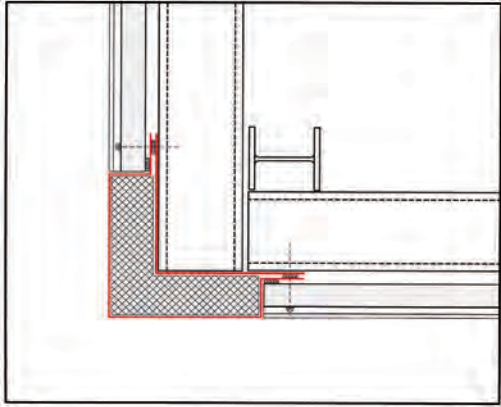
WLC13.001	STANDARD	ON REQUEST
DIMENSIONS (mm)	C: 25	C:
	D: 20	D:
	E: 30	E:
SHEET WIDTH (mm)	S: 120	S: 500
LENGTH (mm)	L: 4.000	L: X
THICKNESS (mm)	t: 2,00	t: 1,50
COLOUR (RAL)	GALVANISED UNCOATED	X



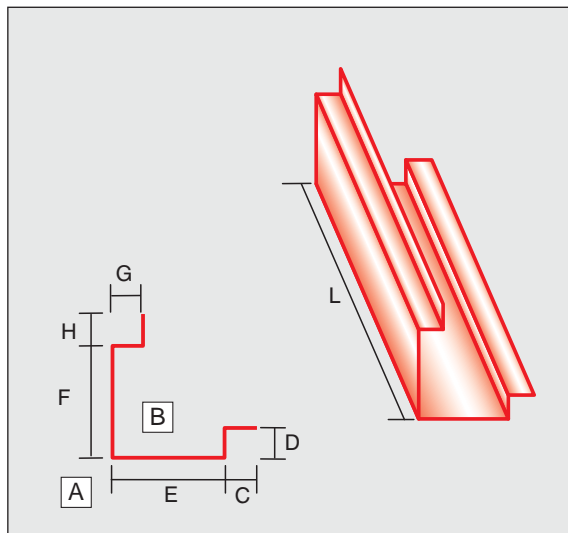
CORE



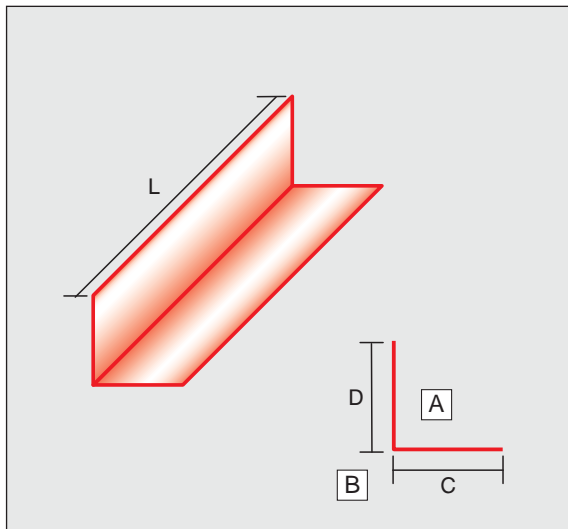
**EXTERNAL CORNER DETAIL N.1 (ECOPANEL WLC HORIZONTALLY LAID)**



REFERENCE NUMBER	DESCRIPTION
WLC10.001	EXTERNAL CORNER FLASHING
WLC10.002	INTERNAL CORNER FLASHING



WLC10.001	STANDARD		ON REQUEST	
	<b>DIMENSIONS (mm)</b>	C: 80	G: W	C:
	D: W	H: 80	D:	H:
	E: 250		E:	
	F: 250		F: -	
<b>SHEET WIDTH (mm)</b>	S: 660+2W (panel thickness)		S: max 1.250	
<b>LENGTH (mm)</b>	L: 4.000		L: 1.000_6.000	
<b>THICKNESS (mm)</b>	t: 0.75		t: 0,50-0,60-0,90	
<b>COLOUR (RAL)</b>	9002 - 9006 - 1015 - 3003		ON REQUEST	



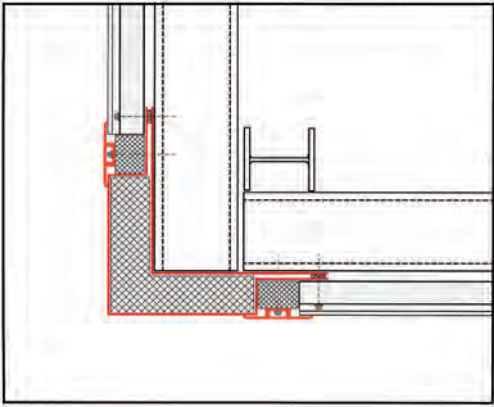
WLC10.002	STANDARD		ON REQUEST	
	<b>DIMENSIONS (mm)</b>	C: 250		C:
	D: 250		D:	
<b>SHEET WIDTH (mm)</b>	S: 500		S: max 1.250	
<b>LENGTH (mm)</b>	L: 4.000		L: 1.000_6.000	
<b>THICKNESS (mm)</b>	t: 0.75		t: 0,50-0,60-0,90	
<b>COLOUR (RAL)</b>	9002 - 9006 - 1015 - 3003		ON REQUEST	



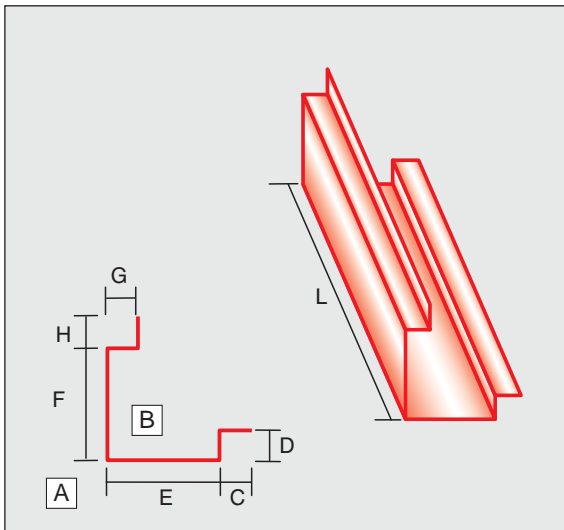
CORE



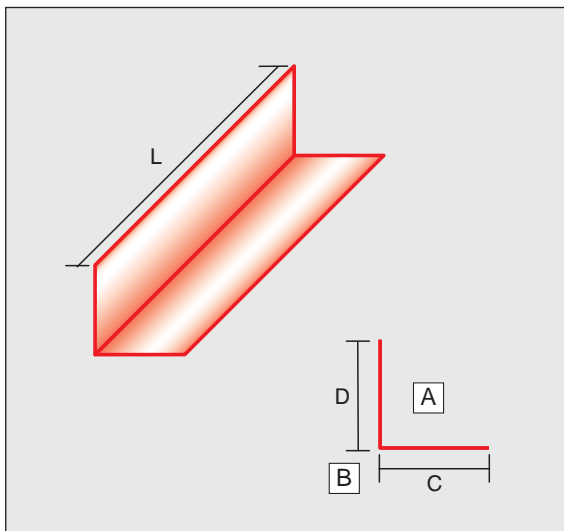
**EXTERNAL CORNER DETAIL N.1 (ECOPANEL WLC HORIZONTALLY LAID)**



REFERENCE NUMBER	DESCRIPTION
WLC11.001	EXTERNAL CORNER FLASHING
WLC11.002	INTERNAL CORNER FLASHING



WLC11.001	STANDARD		ON REQUEST	
	<b>DIMENSIONS (mm)</b>	C: 160	G: W	C:
	D: W	H: 160	D:	H:
	E: 250		E:	
	F: 250		F: -	
<b>SHEET WIDTH (mm)</b>	S: 820+2W (panel thickness)		S: max 1.250	
<b>LENGTH (mm)</b>	L: 4.000		L: 1.000~6.000	
<b>THICKNESS (mm)</b>	t: 0.75		t: 0,50-0,60-0,90	
<b>COLOUR (RAL)</b>	9002 - 9006 - 1015 - 3003		ON REQUEST	



WLC11.002	STANDARD		ON REQUEST	
	<b>DIMENSIONS (mm)</b>	C: 330		C:
	D: 330		D:	
<b>SHEET WIDTH (mm)</b>	S: 660		S: max 1.250	
<b>LENGTH (mm)</b>	L: 4.000		L: 1.000~6.000	
<b>THICKNESS (mm)</b>	t: 0.75		t: 0,50-0,60-0,90	
<b>COLOUR (RAL)</b>	9002 - 9006 - 1015 - 3003		ON REQUEST	

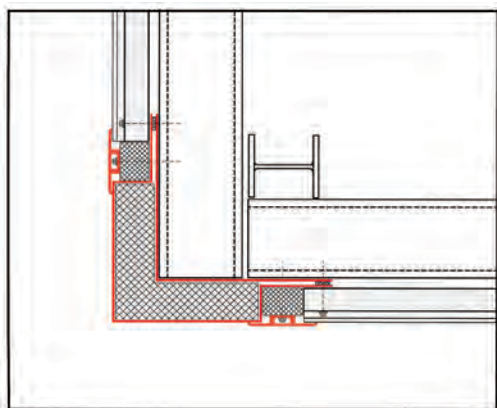




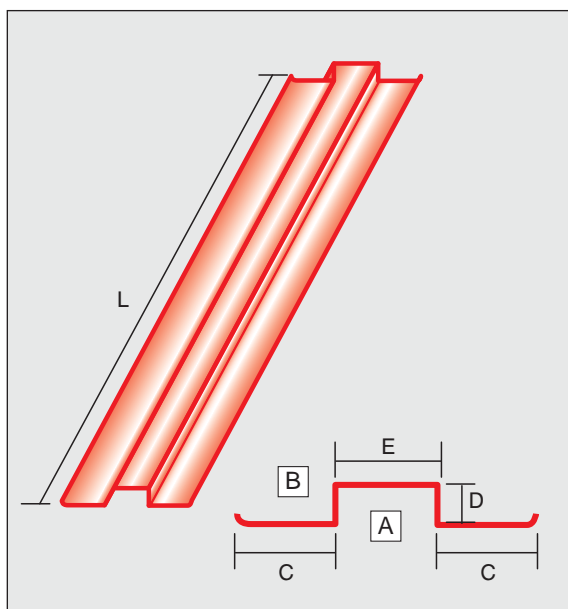
CORE



**EXTERNAL CORNER DETAIL N.2 (ECOPANEL WLC HORIZONTALLY LAID)**

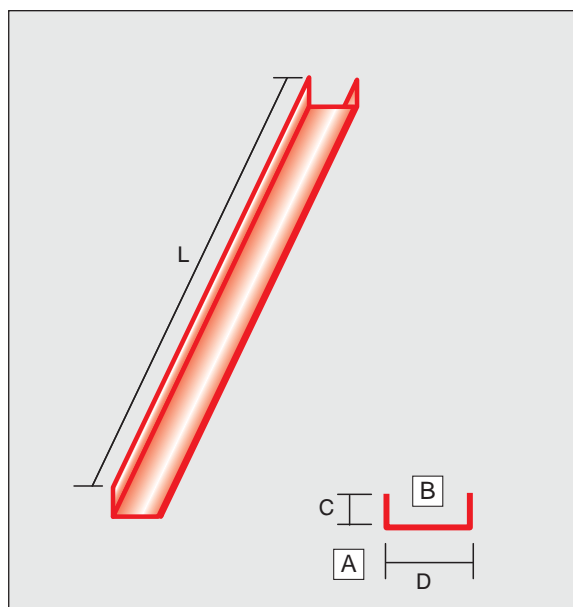


REFERENCE NUMBER	DESCRIPTION
WLC12.001	"OMEGA" COATED ALUMINIUM PROFILE
WLC12.002	"U" COATED ALUMINIUM PROFILE



WLC12.001	STANDARD	ON REQUEST
DIMENSIONS (mm)	C: 31	C: X
	D: 11	D: X
	E: 37	E: X
SHEET WIDTH (mm)	S: 128	S: X
LENGTH (mm)	L: 6.000	L: X
THICKNESS (mm)	t: 1,50	t: X
COLOUR (RAL)	9002 - 9006 - 1015 - 3003	ON REQUEST

ONLY STANDARD DIMENSION



WLC12.002	STANDARD	ON REQUEST
DIMENSIONS (mm)	C: 10	C: X
	D: 31	D: X
SHEET WIDTH (mm)	S: 54	S: X
LENGTH (mm)	L: 6.000	L: X
THICKNESS (mm)	t: 0,50	t: X
COLOUR (RAL)	9002 - 9006 - 1015 - 3003	ON REQUEST

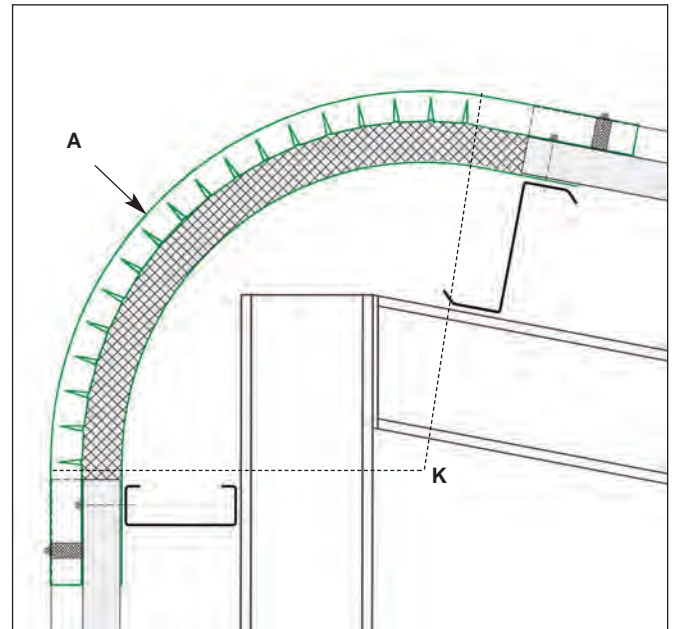
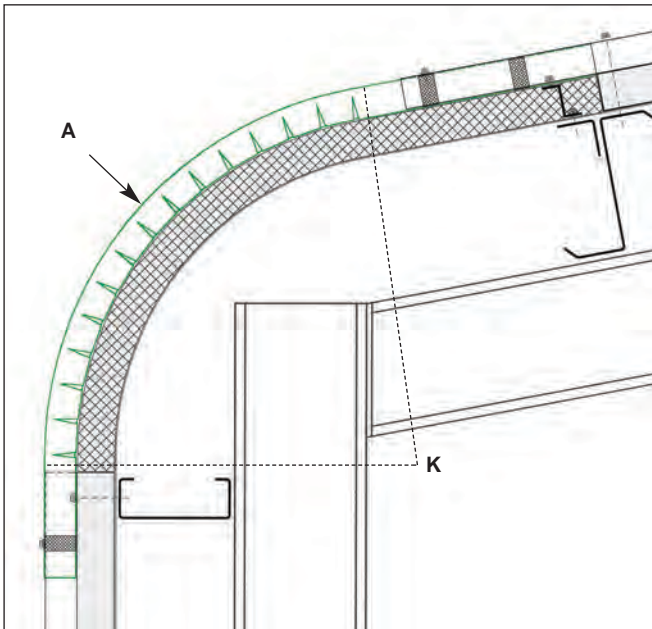
ONLY STANDARD DIMENSION



CORE



**CURVED EAVES WALL CLADDING**



SECTION C - C'

WIND DIRECTION LAY DIRECTION L

WIND DIRECTION LAY DIRECTION R

333,3 mm

1.000 mm (COVER WIDTH)

The curved trapezoidal sheet has the same corugation shape as the outer skin of ECOPANEL RL

**CALCULATION OF TOTAL LENGTH**

S<sub>3</sub> : 200 mm (standard) min:150 mm  
 S<sub>2</sub> : 200 mm (standard) min:150 mm  
 $S_1 : 2\pi RA \frac{\alpha^\circ}{360^\circ} \text{ mm} = \pi RA \frac{\alpha^\circ}{180^\circ} \text{ mm}$   
 S = S<sub>1</sub> + S<sub>2</sub> + S<sub>3</sub> = max 2.000 mm  
 RA = min 450 mm - max 600 mm

Sample of the inquiry form in APPENDIX A

R 27.001	ON REQUEST	
<b>DIMENSIONS (mm)</b>	S <sub>1</sub> :	α°:
	S <sub>2</sub> :	
	S <sub>3</sub> :	
<b>SHEET WIDTH (mm)</b>	W: 1.000 COVER WIDTH	
<b>LENGTH (mm)</b>	S:	
<b>THICKNESS (mm)</b>	t: 0,60	
<b>COLOUR (RAL)</b>	ON REQUEST (STANDARD RAL 9006)	
<b>TYPE</b>	L <input type="checkbox"/> or R <input type="checkbox"/>	

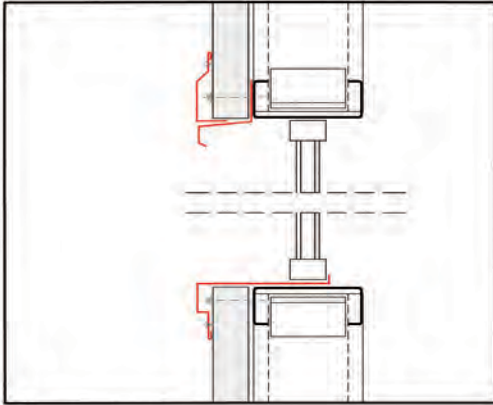


CORE

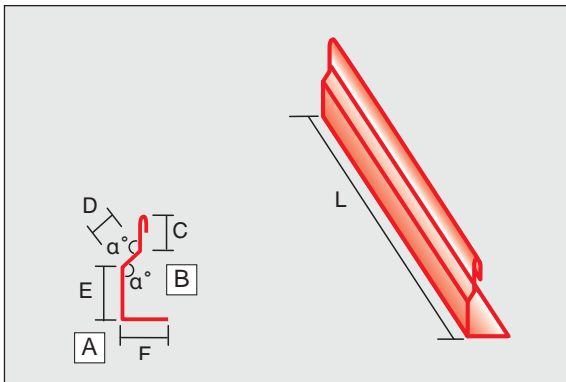


## 7.2 OPENINGS-NATURAL LIGHTING-NATURAL VENTILATION

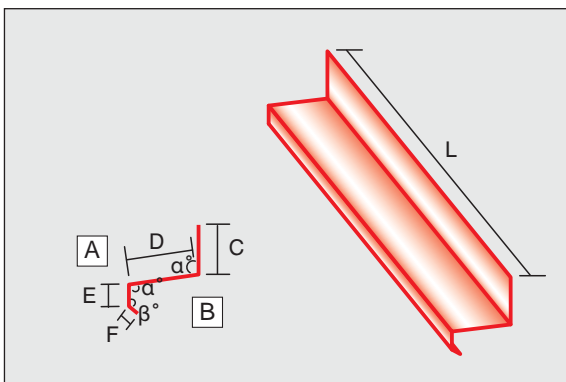
### SECTION THROUGH WINDOW HEAD AND CILL



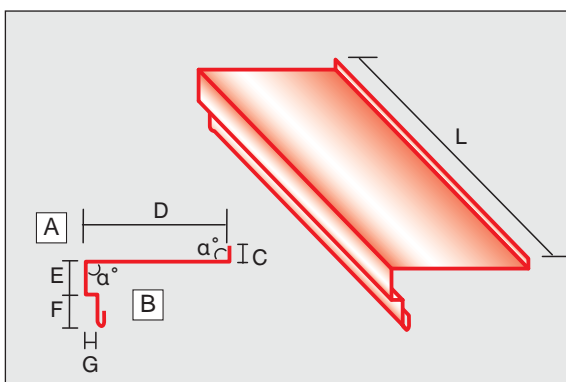
REFERENCE NUMBER	DESCRIPTION
WL12.001	WINDOW HEAD FLASHING
WL17.001	SOFFIT DRIP SUPPORTING FLASHING
WL18.001	WINDOW CILL FLASHING



WL12.001	STANDARD		ON REQUEST	
DIMENSIONS (mm)	C: 30	$\alpha^\circ$ : 135	C:	$\alpha^\circ$ :
	D: 25		D:	
	E: 50		E:	
	F: 40		F:	
SHEET WIDTH (mm)	S: 160		S: max 1.250	
LENGTH (mm)	L: 4.000		L: 1.000 ~ 6.000	
THICKNESS (mm)	t: 0,75		t: 0,50 - 0,60 - 0,90	
COLOUR (RAL)	9002 - 9006 - 1015 - 3003		ON REQUEST	



WL17.001	STANDARD		ON REQUEST	
DIMENSIONS (mm)	C: 50	$\alpha^\circ$ : 92	C:	$\alpha^\circ$ :
	D: 20+W	$\beta^\circ$ : 135	D:	$\beta^\circ$ :
	E: 30		E:	
	F: 20		F:	
SHEET WIDTH (mm)	S: 120 + W (panel thickness)		S: max 1.250	
LENGTH (mm)	L: 4.000		L: 1.000 ~ 6.000	
THICKNESS (mm)	t: 0,75		t: 0,50 - 0,60 - 0,90	
COLOUR (RAL)	9002 - 9006 - 1015 - 3003		ON REQUEST	



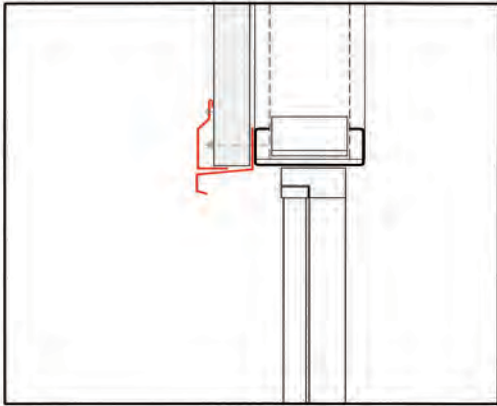
WL18.001	STANDARD		ON REQUEST	
DIMENSIONS (mm)	C: 20	G: 20	C:	G:
	D: -	$\alpha^\circ$ : 92	D:	$\alpha^\circ$ :
	E: 80		E:	
	F: 30		F: -	
SHEET WIDTH (mm)	S: 165+D		S: max 1.250	
LENGTH (mm)	L: 4.000		L: 1.000 ~ 6.000	
THICKNESS (mm)	t: 0,75		t: 0,50 - 0,60 - 0,90	
COLOUR (RAL)	9002 - 9006 - 1015 - 3003		ON REQUEST	



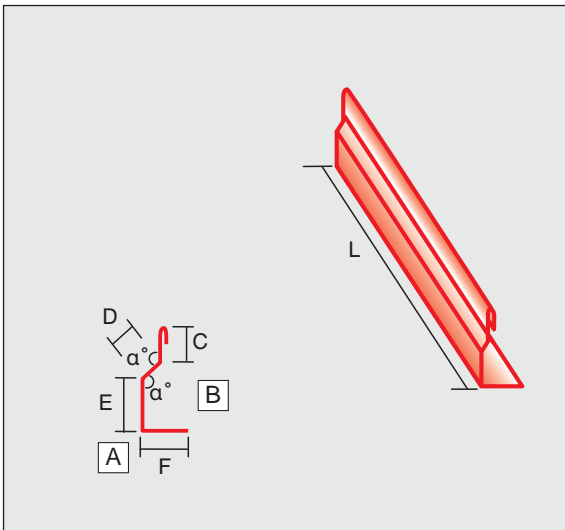
CORE



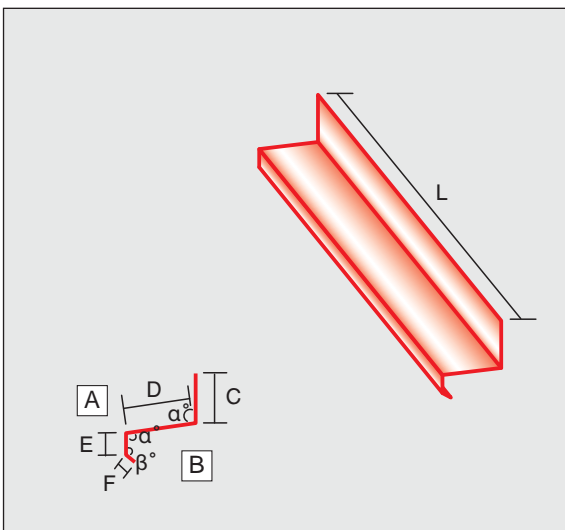
SECTION THROUGH DOOR HEAD



REFERENCE NUMBER	DESCRIPTION
WL12.001	DOOR HEAD FLASHING
WL17.001	SOFFIT DRIP SUPPORTING FLASHING



WL12.001	STANDARD		ON REQUEST	
DIMENSIONS (mm)	C: 30	$\alpha^\circ$ : 135	C:	$\alpha^\circ$ :
	D: 25		D:	
	E: 50		E:	
	F: 40		F:	
SHEET WIDTH (mm)	S: 160		S: max 1.250	
LENGTH (mm)	L: 4.000		L: 1.000 ~ 6.000	
THICKNESS (mm)	t: 0,75		t: 0,50 - 0,60 - 0,90	
COLOUR (RAL)	9002 - 9006 - 1015 - 3003		ON REQUEST	



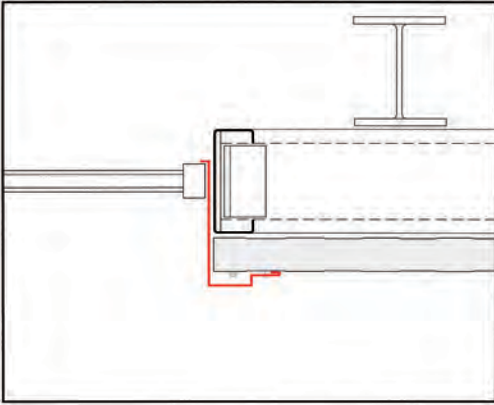
WL17.001	STANDARD		ON REQUEST	
DIMENSIONS (mm)	C: 50	$\alpha^\circ$ : 92	C:	$\alpha^\circ$ :
	D: 20+W	$\beta^\circ$ : 135	D:	$\beta^\circ$ :
	E: 30		E:	
	F: 20		F:	
SHEET WIDTH (mm)	S: 120 + W (panel thickness)		S: max 1.250	
LENGTH (mm)	L: 4.000		L: 1.000 ~ 6.000	
THICKNESS (mm)	t: 0,75		t: 0,50 - 0,60 - 0,90	
COLOUR (RAL)	9002 - 9006 - 1015 - 3003		ON REQUEST	



CORE

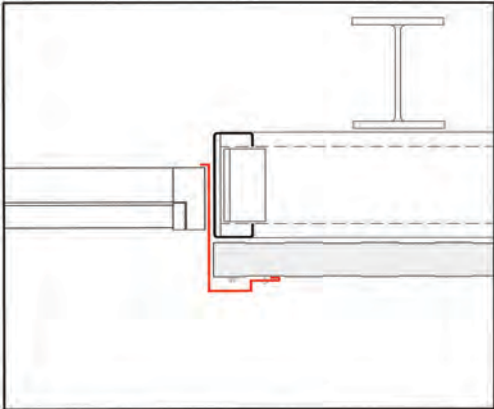


**SECTION THROUGH WINDOW JAMP**

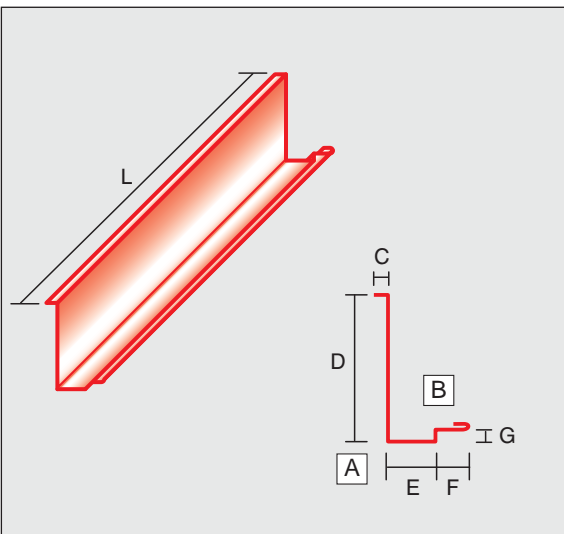


REFERENCE NUMBER	DESCRIPTION
WL19.001	JAMP FLASHING

**SECTION THROUGH DOOR JAMP**



REFERENCE NUMBER	DESCRIPTION
WL19.001	JAMP FLASHING



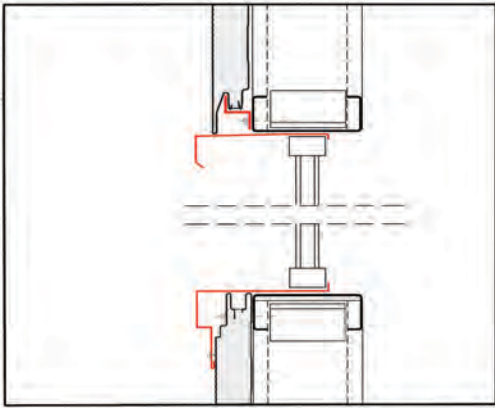
WL19.001	STANDARD		ON REQUEST	
<b>DIMENSIONS (mm)</b>	C: 20	G: 20	C:	
	D: -	$\alpha^\circ$ : 92	D:	
	E: 80		E:	
	F: 30		F: -	
<b>SHEET WIDTH (mm)</b>	S: 165+D		S: max 1.250	
<b>LENGTH (mm)</b>	L: 4.000		L: 1.000 ~ 6.000	
<b>THICKNESS (mm)</b>	t: 0,75		t: 0,50 - 0,60 - 0,90	
<b>COLOUR (RAL)</b>	9002 - 9006 - 1015 - 3003		ON REQUEST	



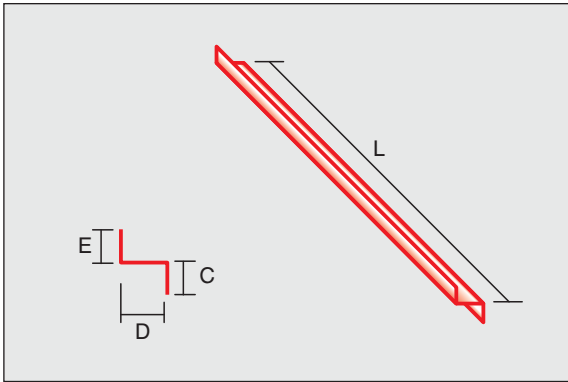
CORE



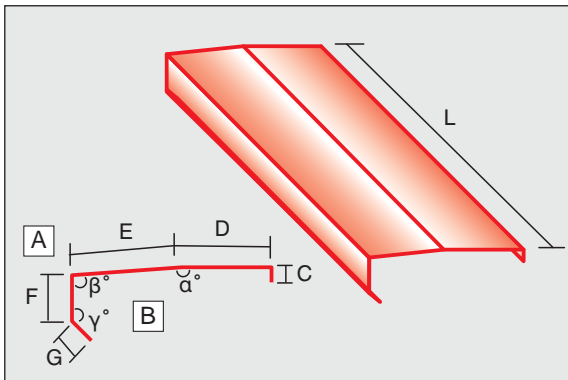
**SECTION THROUGH WINDOW HEAD AND CILL (ECOPANEL WLC HORIZONTALLY LAID)**



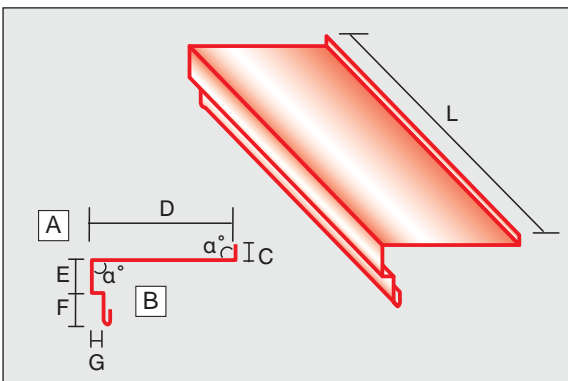
REFERENCE NUMBER	DESCRIPTION
WLC17.003	PANEL SUPPORTING "Z" PROFILE
WLC17.002	SOFFIT DRIP FLASHING
WL18.001	WINDOW CILL FLASHING



WLC17.003	STANDARD	ON REQUEST
DIMENSIONS (mm)	C: 22	C:
	D: W-24	D: W-24
	E: 22	E: 22
SHEET WIDTH (mm)	S: 20+W (panel thickness)	S:
LENGTH (mm)	L: 4.000	L: 1.000_6.000
THICKNESS (mm)	t: 1,50	t: 1,5
COLOUR (RAL)	GALVANISED UNCOATED	ON REQUEST



WLC17.002	STANDARD	ON REQUEST		
DIMENSIONS (mm)	C: 20	G: 20	C:	G:
	D: -	$\alpha^\circ$ : 175	D:	$\alpha^\circ$ :
	E: -	$\beta^\circ$ : 95	E:	$\beta^\circ$ :
	F: 30	$\gamma^\circ$ : 135	F:	$\gamma^\circ$ :
SHEET WIDTH (mm)	S: -	S: max 1.250		
LENGTH (mm)	L: 4.000	L: 1.000_6.000		
THICKNESS (mm)	t: 0,75	t: 0,50 - 0,60 - 0,90		
COLOUR (RAL)	9002 - 9006 - 1015 - 3003	ON REQUEST		



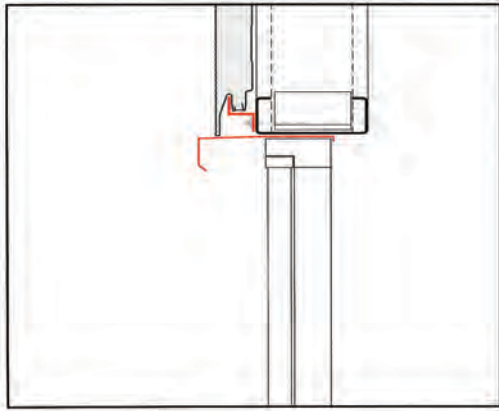
WL18.001	STANDARD	ON REQUEST		
DIMENSIONS (mm)	C: 20	G: 20	C:	G:
	D: -	$\alpha^\circ$ : 92	D:	
	E: 80		E:	
	F: 30		F: -	
SHEET WIDTH (mm)	S: 165+D	S: max 1.250		
LENGTH (mm)	L: 4.000	L: 1.000 _ 6.000		
THICKNESS (mm)	t: 0,75	t: 0,50 - 0,60 - 0,90		
COLOUR (RAL)	9002 - 9006 - 1015 - 3003	ON REQUEST		



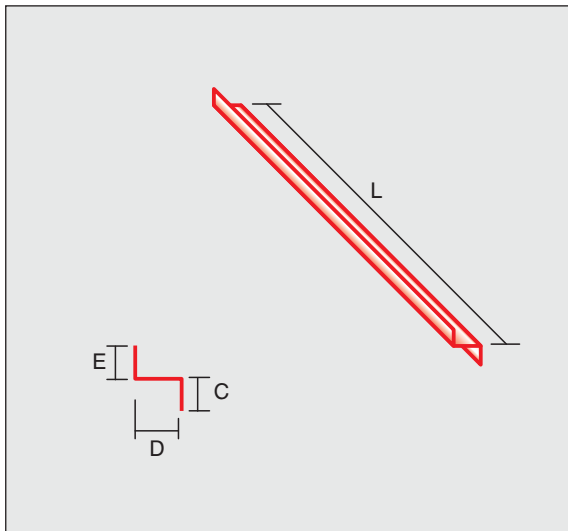
CORE



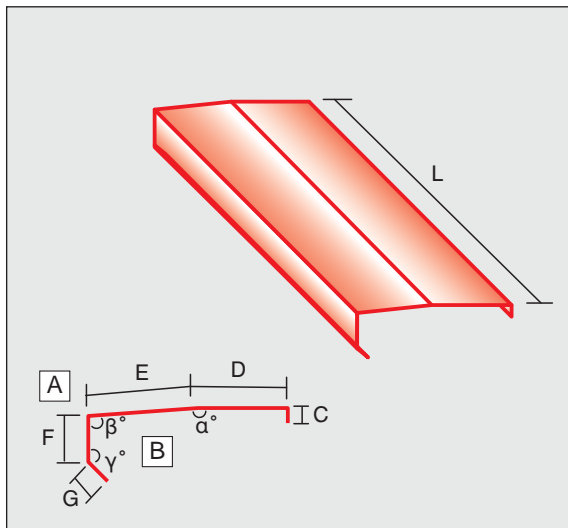
**SECTION THROUGH DOOR HEAD (ECOPANEL WLC HORIZONTALLY LAID)**



REFERENCE NUMBER	DESCRIPTION
WLC17.003	PANEL SUPPORTING "Z" PROFILE
WLC17.002	SOFFIT DRIP FLASHING



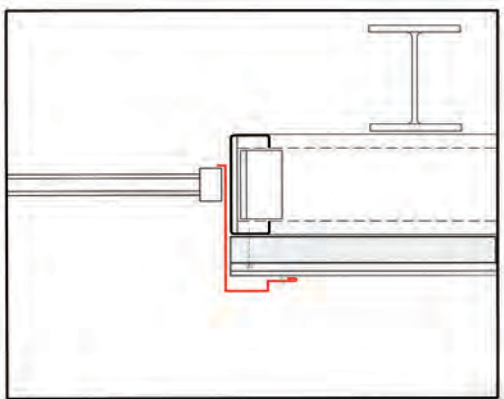
WLC17.003	STANDARD		ON REQUEST	
DIMENSIONS (mm)	C: 22		C:	
	D: W-24		D: W-24	
	E: 22		E: 22	
SHEET WIDTH (mm)	S: 20+W (panel thickness)		S:	
LENGTH (mm)	L: 4.000		L: 1.000_6.000	
THICKNESS (mm)	t: 1,50		t: 1,5	
COLOUR (RAL)	GALVANISED UNCOATED		ON REQUEST	



WLC17.002	STANDARD		ON REQUEST	
DIMENSIONS (mm)	C: 20	G: 20	C:	G:
	D: -	$\alpha^\circ$ : 175	D:	$\alpha^\circ$ :
	E: -	$\beta^\circ$ : 95	E:	$\beta^\circ$ :
	F: 30	$\gamma^\circ$ : 135	F:	$\gamma^\circ$ :
SHEET WIDTH (mm)	S: -		S: max 1.250	
LENGTH (mm)	L: 4.000		L: 1.000_6.000	
THICKNESS (mm)	t: 0,75		t: 0,50 - 0,60 - 0,90	
COLOUR (RAL)	9002 - 9006 - 1015 - 3003		ON REQUEST	

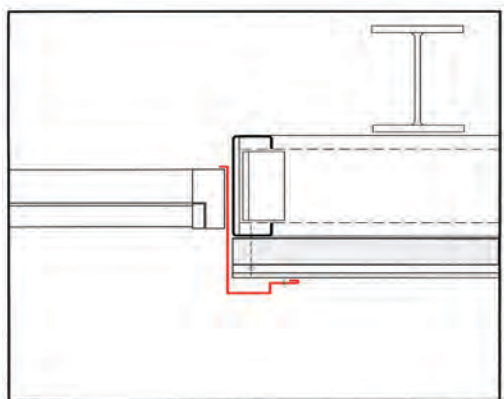


### SECTION THROUGH WINDOW JAMP (ECOPANEL WLC HORIZONTALLY LAID)

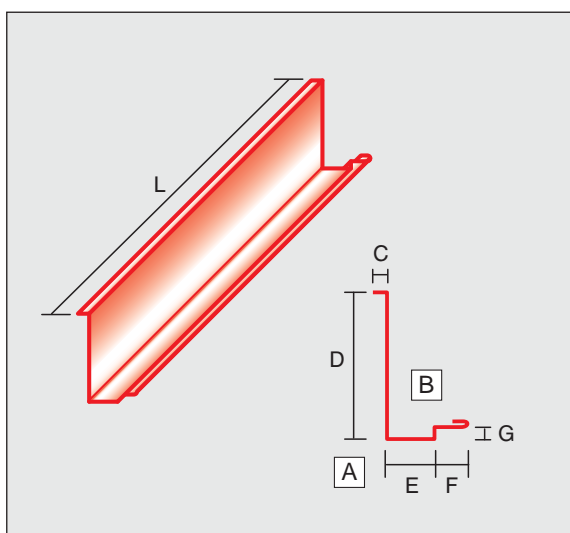


REFERENCE NUMBER	DESCRIPTION
WL19.001	JAMP FLASHING

### SECTION THROUGH DOOR JAMP (ECOPANEL WLC HORIZONTALLY LAID)



REFERENCE NUMBER	DESCRIPTION
WL19.001	JAMP FLASHING



WL19.001	STANDARD		ON REQUEST	
<b>DIMENSIONS (mm)</b>	C: 20	G: 20	C:	
	D:		D:	
	E: 80		E:	
	F: 30		F: -	
<b>SHEET WIDTH (mm)</b>	S: 165+D		S: max 1.250	
<b>LENGTH (mm)</b>	L: 4.000		L: 1.000 ~ 6.000	
<b>THICKNESS (mm)</b>	t: 0,75		t: 0,50 - 0,60 - 0,90	
<b>COLOUR (RAL)</b>	9002 - 9006 - 1015 - 3003		ON REQUEST	

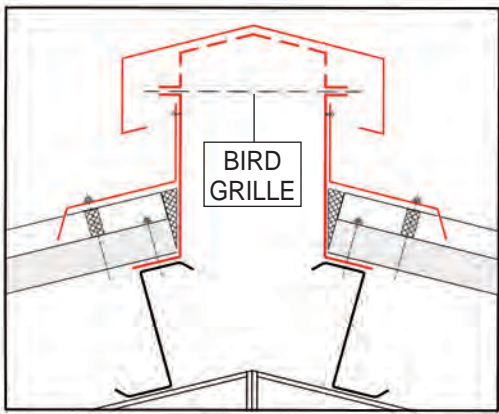




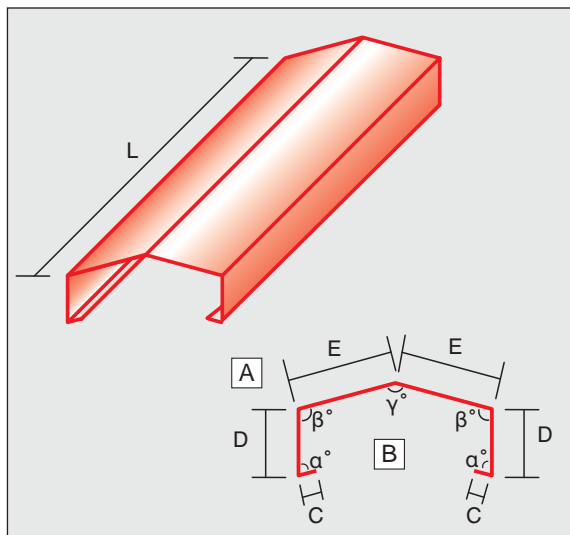
CORE



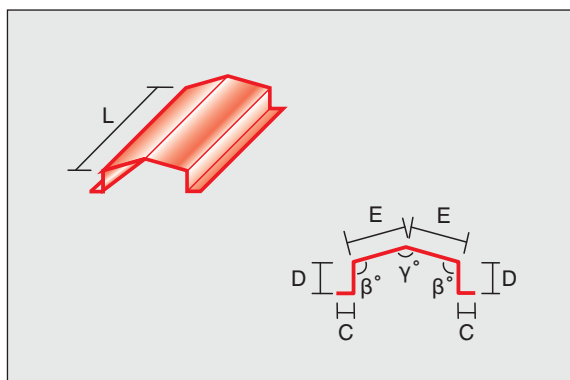
RIDGE VENTILATION - 1



REFERENCE NUMBER	DESCRIPTION
R12.001	RIDGE FLASHING
R12.002	SUPPORTING STEEL PROFILE



R12.001	STANDARD		ON REQUEST	
DIMENSIONS (mm)	C: 50	α°: 75	C: X	α°: X
	D: 160	β°: 105	D: X	β°: X
	E: 465	γ°: 150	E: X	γ°: X
SHEET WIDTH (mm)	S: 1150		S: X	
LENGTH (mm)	L: 4.000		L: 1.000 ~6.000	
THICKNESS (mm)	t: 0,75		t: 0,90	
COLOUR (RAL)	9002 - 9006 - 1015 - 3003		ON REQUEST	



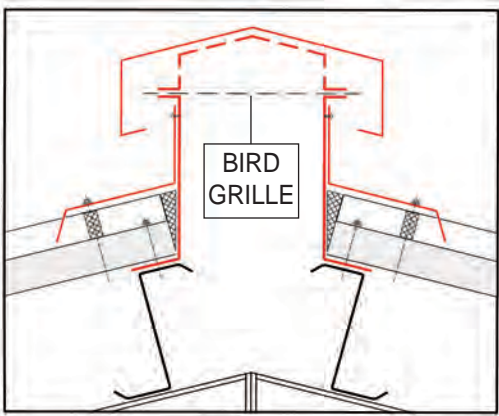
R12.002	STANDARD		ON REQUEST	
DIMENSIONS (mm)	C: 50	β°: 105	C: X	β°: X
	D: 120	γ°: 150	D: X	γ°: X
	E: 220		E: X	
SHEET WIDTH (mm)	S: 780		S: X	
LENGTH (mm)	L: 150		L: X	
THICKNESS (mm)	t: 1,50		t: X	
COLOUR (RAL)	GALVANISED UNCOATED		ON REQUEST	



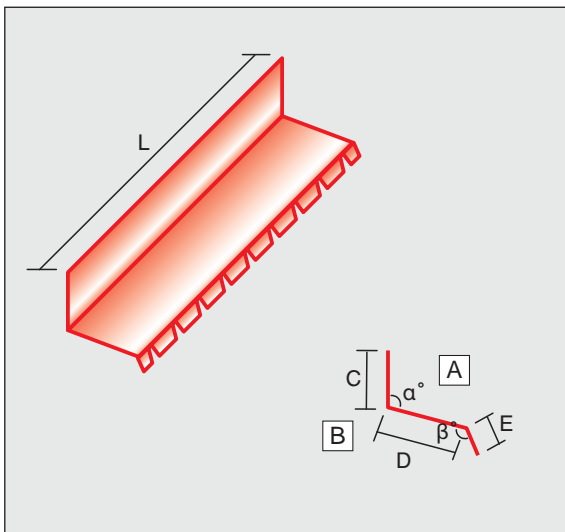
CORE



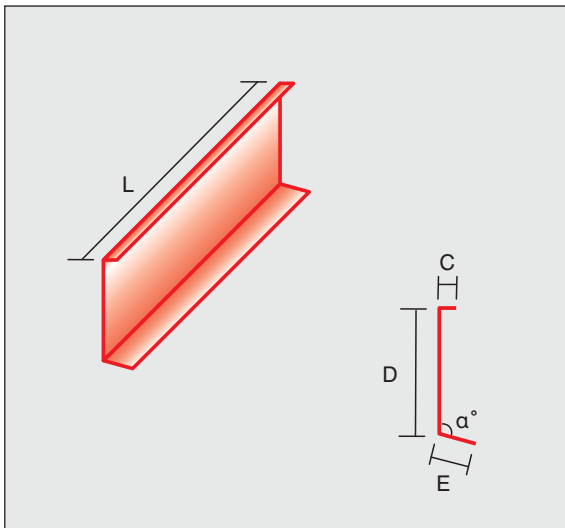
RIDGE VENTILATION - 2



REFERENCE NUMBER	DESCRIPTION
R12.003	FLASHING WITH METAL FILLER END (PANEL MASK)
R12.004	SUPPORTING STEEL PROFILE



R12.003	STANDARD		ON REQUEST	
DIMENSIONS (mm)	C: 180	$\alpha^\circ$ :	C:	
	D: 275	$\beta^\circ$ : 100	D:	
	E: 45			
SHEET WIDTH (mm)	S: 500		S: max 1.250	
LENGTH (mm)	L: 3.000		L: 1.000_6.000	
THICKNESS (mm)	t: 0,75		t: 0,75	
COLOUR (RAL)	9002 - 9006 - 1015 - 3003		ON REQUEST	



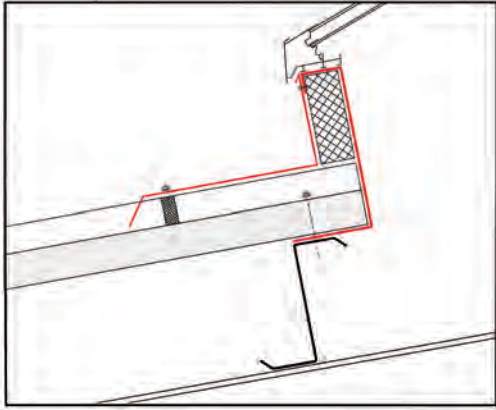
R12.004	STANDARD		ON REQUEST	
DIMENSIONS (mm)	C: 50		C:	
	D: 200+W		D:	
	E: 100		E:	
SHEET WIDTH (mm)	S: 350+W (panel thickness)		S: max 1.250	
LENGTH (mm)	L: 4.000		L: 3.000_6.000	
THICKNESS (mm)	t: 2,00		t: 1,50 - 2,00	
COLOUR (RAL)	GALVANISED UNCOATED		ON REQUEST	



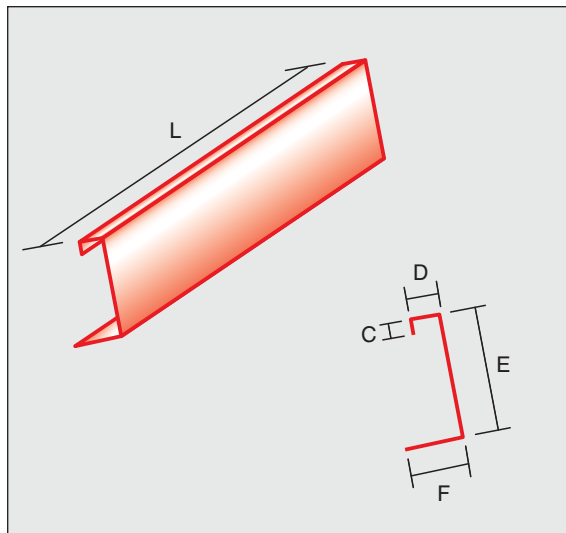
CORE



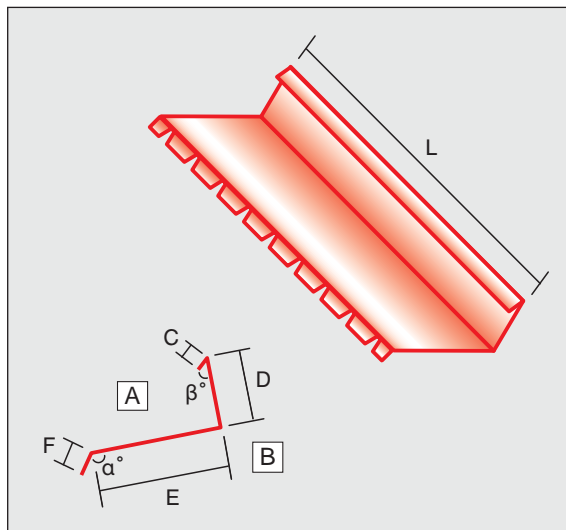
### SKYLIGHT OPENING (LOWER SECTION)



REFERENCE NUMBER	DESCRIPTION
R62.001	SUPPORTING STEEL PROFILE
R62.002	LOWER FLASHING WITH METAL FILLER END (PANEL MASK)



R62.001	STANDARD	ON REQUEST
DIMENSIONS (mm)	C: 50	C:
	D: 50	D:
	E: 150+W	E:
	F: 100	F: -
SHEET WIDTH (mm)	S: 350+W (panel thickness)	S: max 1.250
LENGTH (mm)	L: 4.000	L: 3.000 - 4.000 - 6.000
THICKNESS (mm)	t: 2,00	t: 1,50 - 2,00
COLOUR (RAL)	GALVANISED UNCOATED	ON REQUEST



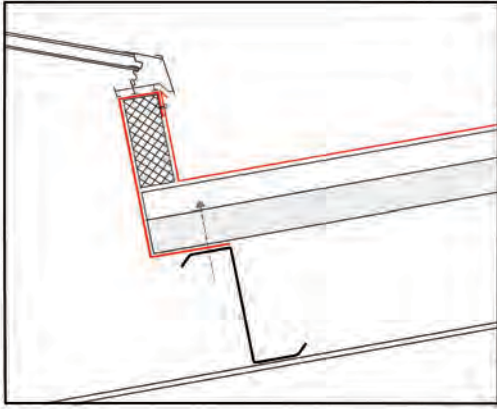
R62.002	STANDARD	ON REQUEST		
DIMENSIONS (mm)	C: 20	$\alpha^\circ$ : 100	C: 20	$\alpha^\circ$ : 100
	D: 150+w	$\beta^\circ$ : 45	D: -	$\beta^\circ$ : 45
	E: 275		E: -	
	F: 45		F: 40	
SHEET WIDTH (mm)	S: 490+W (panel thickness)	S: max 1.250		
LENGTH (mm)	L: 3.000	L: 3.000		
THICKNESS (mm)	t: 0,75	t: 0,75		
COLOUR (RAL)	9002 - 9006 - 1015 - 3003	ON REQUEST		



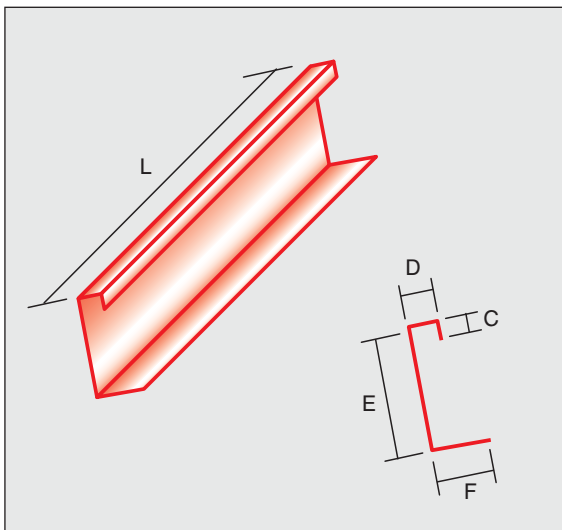
CORE



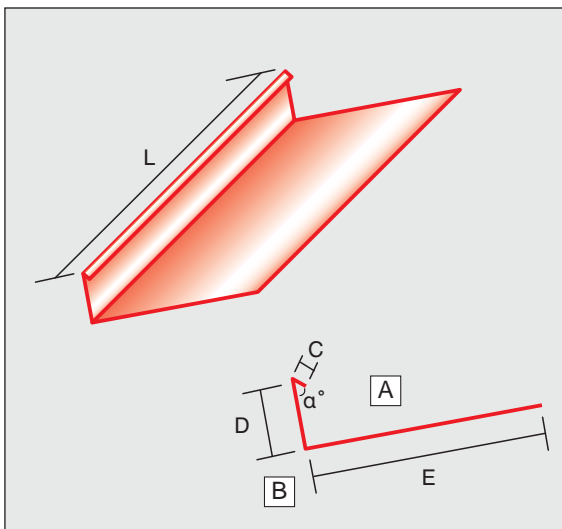
**SKYLIGHT OPENING (UPPER SECTION)**



REFERENCE NUMBER	DESCRIPTION
R62.001	SUPPORTING STEEL PROFILE
R63.001	UPPER FLASHING TO THE RIDGE



R62.001	STANDARD	ON REQUEST
<b>DIMENSIONS (mm)</b>	C: 50	C:
	D: 50	D:
	E: 150+W	E:
	F: 100	F: -
<b>SHEET WIDTH (mm)</b>	S: 350+W (panel thickness)	S: max 1.250
<b>LENGTH (mm)</b>	L: 4.000	L: 3.000 - 4.000 - 6.000
<b>THICKNESS (mm)</b>	t: 2,00	t: 1,50 - 2,00
<b>COLOUR (RAL)</b>	GALVANISED UNCOATED	ON REQUEST



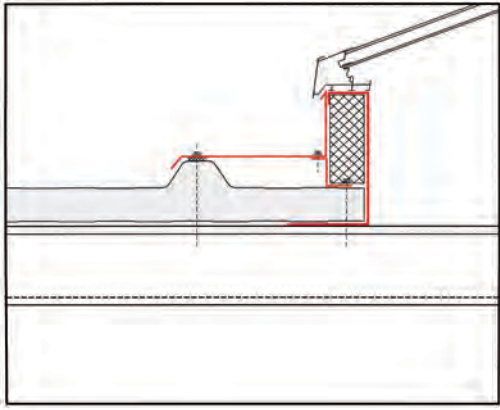
R63.001	STANDARD	ON REQUEST
<b>DIMENSIONS (mm)</b>	C: 20	$\alpha^\circ$ : 45
	D: 150	
	E: up to ridge	
<b>SHEET WIDTH (mm)</b>	S: -	S: max 1.250
<b>LENGTH (mm)</b>	L: 3.000	L: 1.000 - 6.000
<b>THICKNESS (mm)</b>	t: 0,75	t: 0,50 - 0,60 - 0,90
<b>COLOUR (RAL)</b>	9002 - 9006 - 1015 - 3003	ON REQUEST



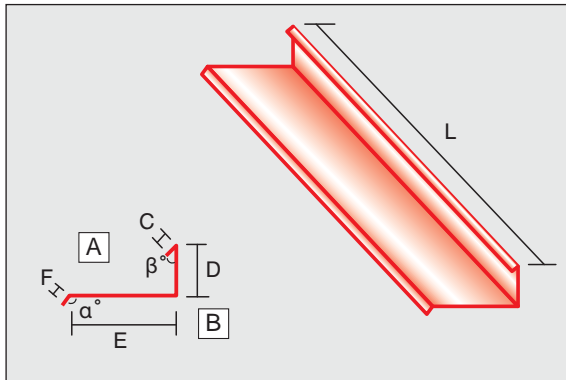
CORE



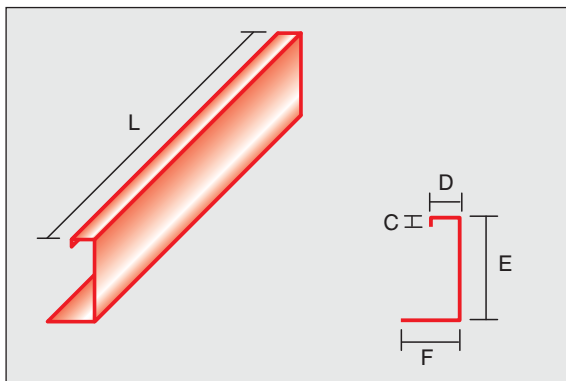
SKYLIGHT OPENING (SIDE SECTION)



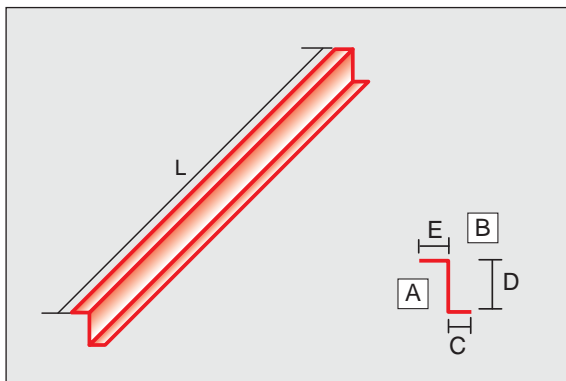
REFERENCE NUMBER	DESCRIPTION
R64.001	SIDE FLASHING
R62.001	SUPPORTING STEEL PROFILE
R40.002	"Z" SUPPORT FLASHING



R64.001	STANDARD		ON REQUEST	
	<b>DIMENSIONS (mm)</b>	C: 20	$\alpha^\circ$ : 123	C:
	D: 105		D:	
	E:		E:	
	F: 30		F: 30	
<b>SHEET WIDTH (mm)</b>	S:		S: max 1.250	
<b>LENGTH (mm)</b>	L: 4.000		L: 1.000 ~ 6.000	
<b>THICKNESS (mm)</b>	t: 0,75		t: 0,50 - 0,60 - 0,75	
<b>COLOUR (RAL)</b>	9002 - 9006 - 1015 - 3003		ON REQUEST	



R62.001	STANDARD		ON REQUEST	
	<b>DIMENSIONS (mm)</b>	C: 50	$\alpha^\circ$ :	C:
	D:		D:	
	E: 150+W		E:	
	F: 100		F: -	
<b>SHEET WIDTH (mm)</b>	S: 350+D+W(panel thickness)		S: max 1.250	
<b>LENGTH (mm)</b>	L: 4.000		L: 3.000 - 4.000 - 6.000	
<b>THICKNESS (mm)</b>	t: 2,00		t: 1,50 - 2,00	
<b>COLOUR (RAL)</b>	GALVANISED UNCOATED		ON REQUEST	



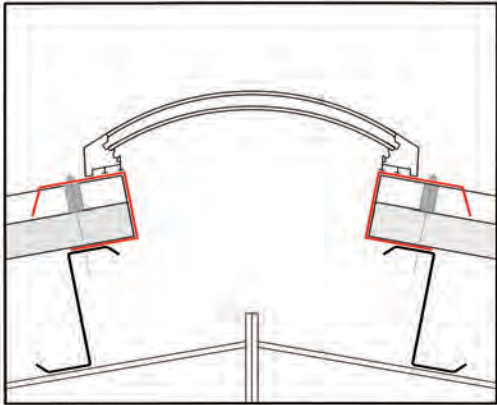
R40.002	STANDARD		ON REQUEST	
	<b>DIMENSIONS (mm)</b>	C: 30		C: X
	D: 42		D: X	
	E: 30		E: X	
<b>SHEET WIDTH (mm)</b>	S: 102		S: X	
<b>LENGTH (mm)</b>	L: 4.000		L: 1.000 ~ 6.000	
<b>THICKNESS (mm)</b>	t: 0,75		t: 0,50 - 0,60 - 0,75	
<b>COLOUR (RAL)</b>	9002 - 9006 - 1015 - 3003		ON REQUEST	



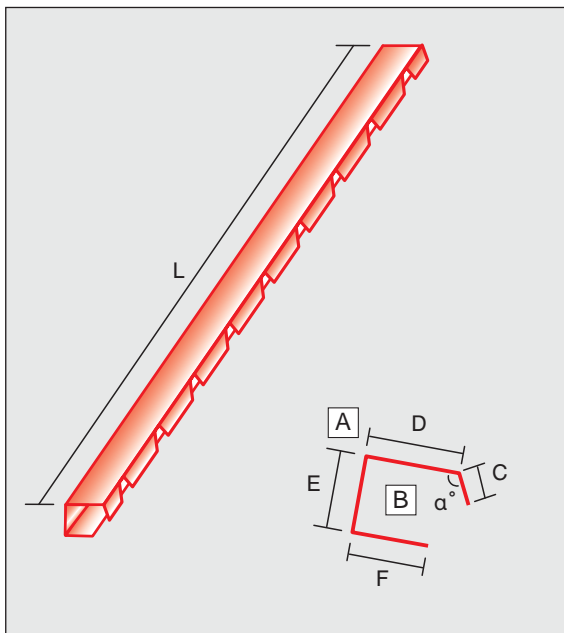
CORE



### SKYLIGHT OPENING IN THE RIDGE (DOME TYPE)



REFERENCE NUMBER	DESCRIPTION
R13.001	FLASHING WITH METAL FILLER END (PANEL MASK)



R13.001	STANDARD		ON REQUEST	
<b>DIMENSIONS (mm)</b>	C: 45	$\alpha^\circ$ : 100	C: X	$\alpha^\circ$ : X
	D: 160		D: X	
	E: W		E: X	
	F: 70		F: X	
<b>SHEET WIDTH (mm)</b>	S: 275+W (panel thickness)		S: X	
<b>LENGTH (mm)</b>	L: 3.000		L: X	
<b>THICKNESS (mm)</b>	t: 0,75		t: X	
<b>COLOUR (RAL)</b>	9002 - 9006 - 1015 - 3003		ON REQUEST	